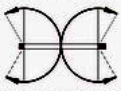
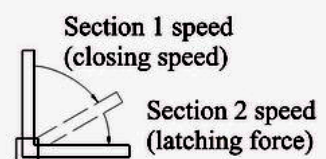
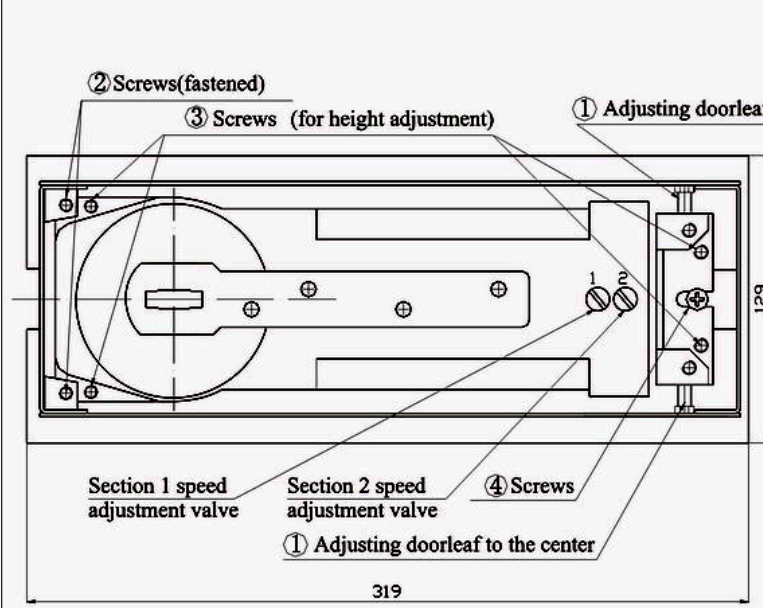
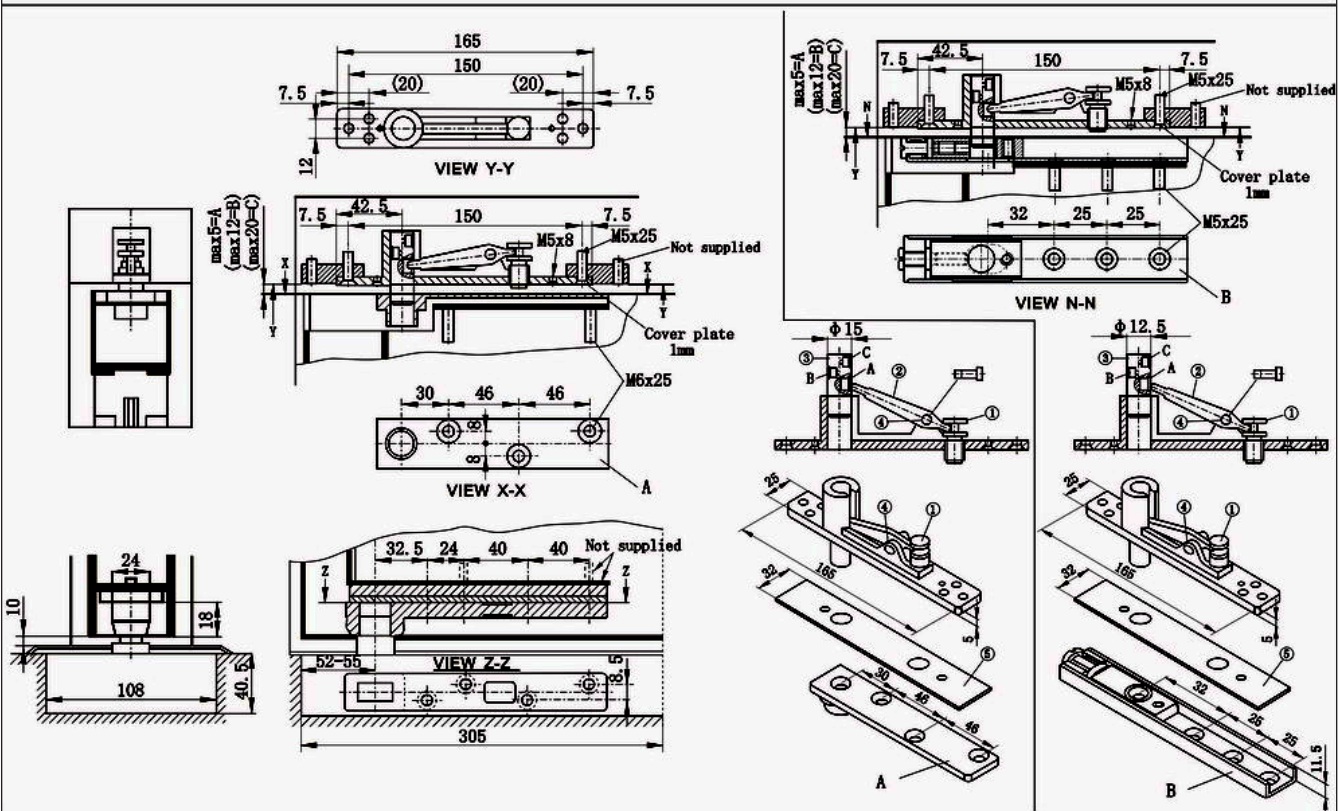




## Installation instruction for Double action floor spring

932.77.000  
932.77.010  
932.77.020

Opening	Model	Max width (mm)	Max door width (kg)	
Center-suspending double-door two-direction opening  Maximum opening angle 120 degree Stop angle 90 degree	FS2104	1200	120	EN4
	FS2103	1000	100	EN3
	FS2102	850	80	EN2



### Doorleaf positioning and adjustment of closing speed

1. Adjust screws 2 and 4 to keep the center of the ground-spring pivot in axial line with the center of the top-frame pivot.
2. Adjust screws 1 to allow the doorleaf stop at the intended position.
3. Adjust screws 3 to keep doorleaf parallel to the ground and the spring.
4. Turning the valves clockwise both section 1 closing speed and section 2 latching force decrease; turning the valves anti-clockwise both section 1 closing speed and section 2 latching force increase.