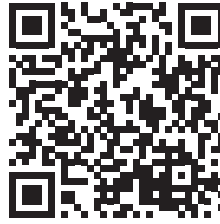


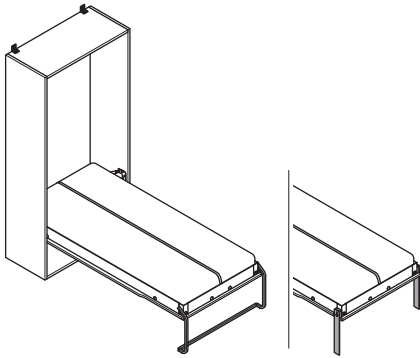


## Teleletto Style/Comfort/Exclusive



[https://www.hafele.com.de/  
video/teleletto-end-mounted](https://www.hafele.com.de/video/teleletto-end-mounted)

271.91.00x	271.91.52x
271.91.01x	271.91.53x
271.91.02x	271.91.54x
271.91.030	271.91.552
271.91.040	271.91.553
271.91.041	271.91.590
271.91.06x	271.91.61x
271.91.07x	271.91.62x
271.91.08x	271.91.63x
271.91.50x	



**732.22.279**

**[WS132]**

**HDE 16.04.2024**

**≥1600**

**mm**

**271.91.00x** **271.91.52x**

**271.91.01x** **271.91.53x**

**271.91.02x** **271.91.54x**

**271.91.030** **271.91.552**

**271.91.040** **271.91.553**

**271.91.041** **271.91.590**

**271.91.06x** **271.91.61x**

**271.91.07x** **271.91.62x**

**271.91.08x** **271.91.63x**

**271.91.50x**

**A** **B** **C** **D** **W** 2x **M** 2x

**X** 2x

**S**

**T** 2x

**O** 2x **P** 6x **Q** 4x **R** 2x

**H** 20x

**b** 6x **c** 12x **p** 4x **U** IS45 **k** 2x **m** 2x **n** 2x

4,5x50

**d** 16x **E** **F**

**e** 16x

**z** 16x

4,5x17

**s**

**u**

**v** 2x **w** 4x **h** 2x

M8x20

**Z** 2x **d** 10x **e** 10x

**Y**

**p** 8x **z** 8x

4,5x17

**a** 4x **f** 2x **g** 2x **K** **L**

**N** 2x **h** 2x

**G** 2x

**+**

$\geq 1600$

$< 1600$

P2 25

P2 19

P2 19

Z<sub>1</sub> Z<sub>2</sub> Z<sub>3</sub>

3/5/10/16 mm

IS20

SW5/8

**i**

**+**

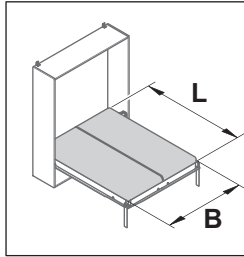
T	H
460	≤230
500	≤300

B	900	1400	1600	1800	2000
<b>a</b>	15	17	18	19	20
<b>b</b>	10	16	19	23	30
<b>c</b>	2,5	2,5	2,5	2,5	2,5
<b>d</b>	26	39	44	48,5	55
<b>e</b>	13	16	20	26	32
<b>f</b>	6	10	11	12	20
<b>g</b>	2,4	3	3,2	3,4	3,6

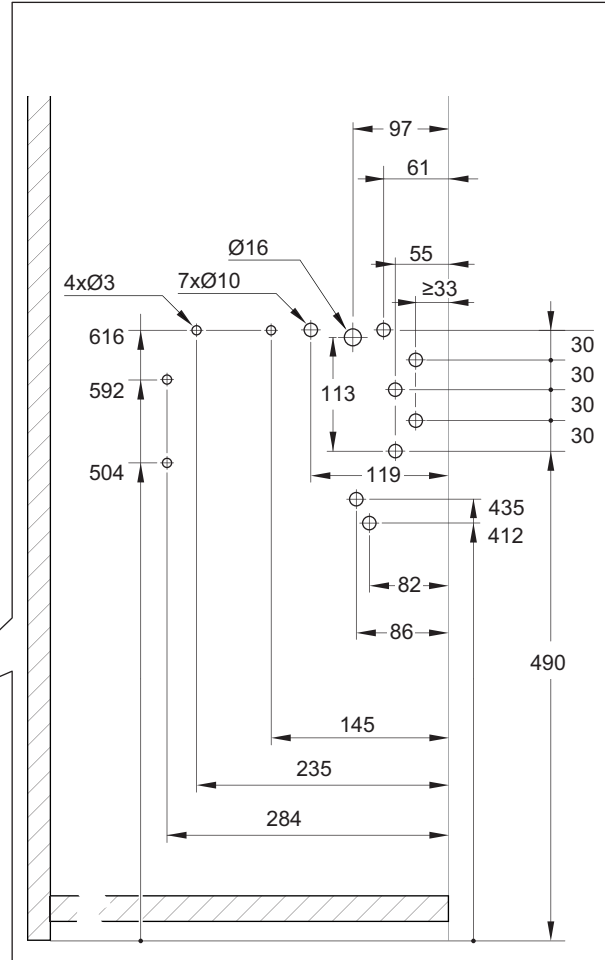
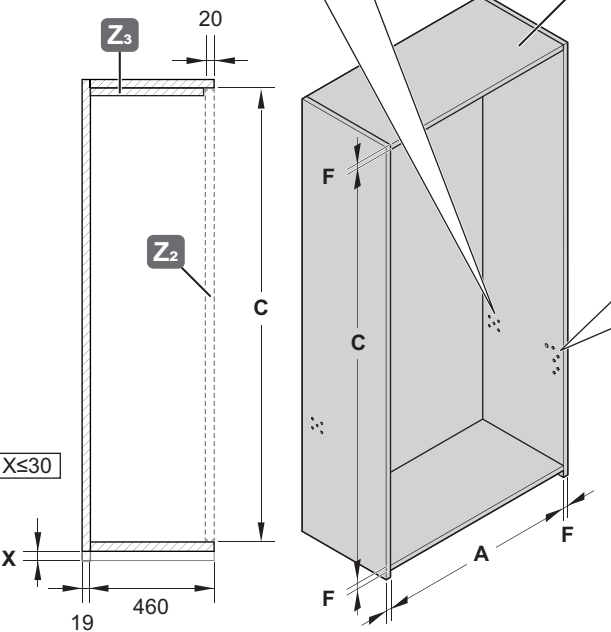
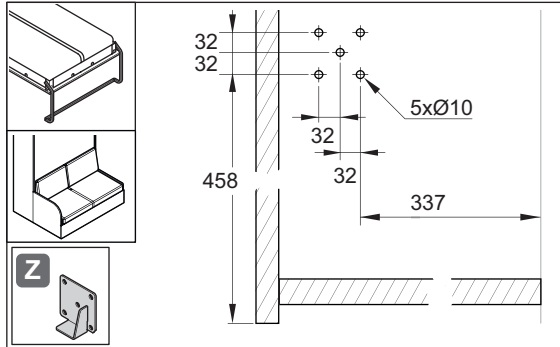
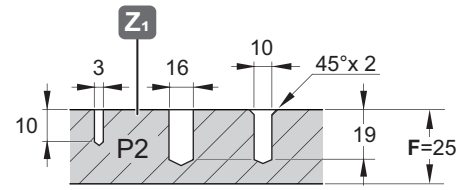
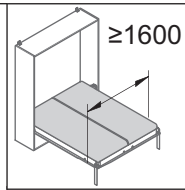
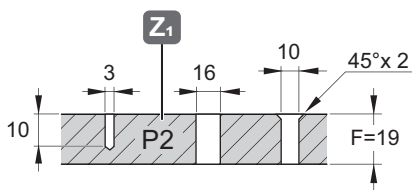
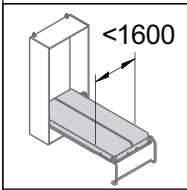
**kg**

**a** **b** **c** **d** **e** **f** **g**

1



B	L	C=L+107-X	A=B+86	D=L+97-X	E=B+76	F
900	2000	2107-X	986	2097-X	976	19
1400	2000	2107-X	1486	2097-X	1476	19
B	L	C=L+101-X	A=B+86	D=L+91-X	E=B+76	F
1600	2000	2101-X	1686	2091-X	1676	25
1800	2000	2101-X	1886	2091-X	1876	25
2000	2000	2101-X	2086	2091-X	2076	25



732.22.279

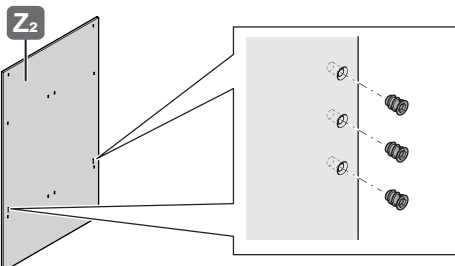
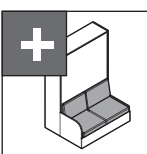
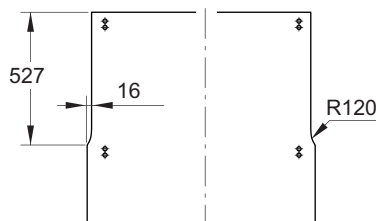
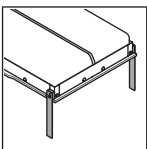
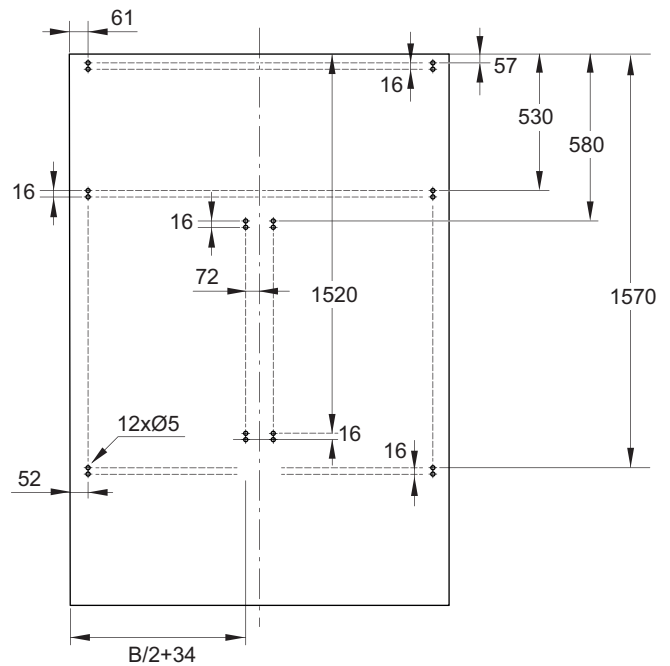
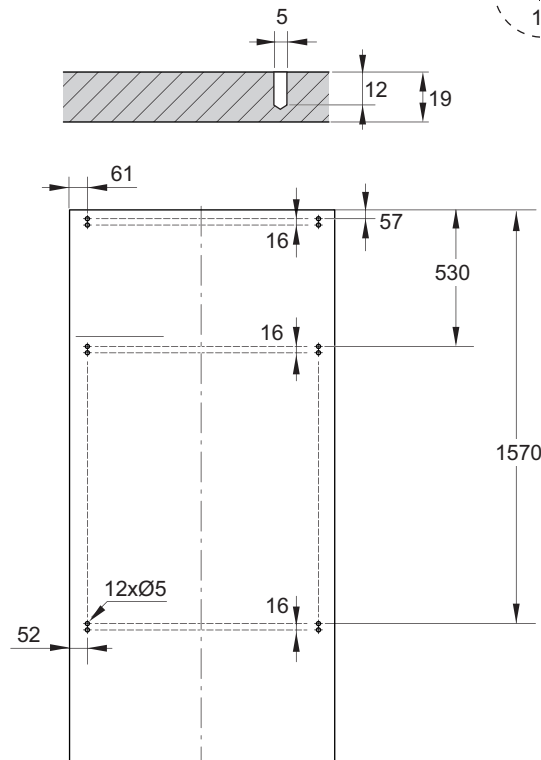
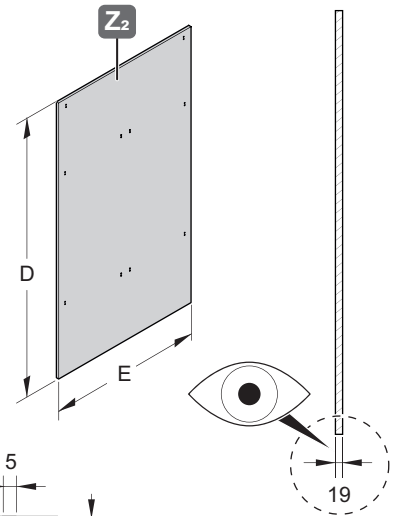
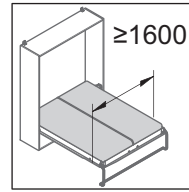
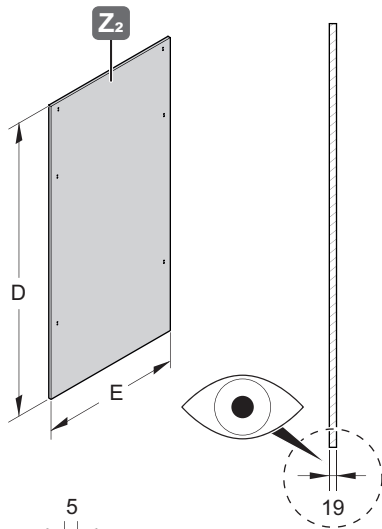
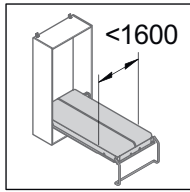
[WS132]

HDE 16.04.2024

2



5 mm



732.22.285



[www.hafele.com.de/ins-doc-04744833](http://www.hafele.com.de/ins-doc-04744833)

732.22.279

[WS132]

HDE 16.04.2024

**3** 5 mm 4,5x17 mm

**i**

**1**

**2**

**4** SW 5 SW 8 mm

**E** **F**

**<1600** **<1250N** **M**

**≥1600** **≥1250N** **M**

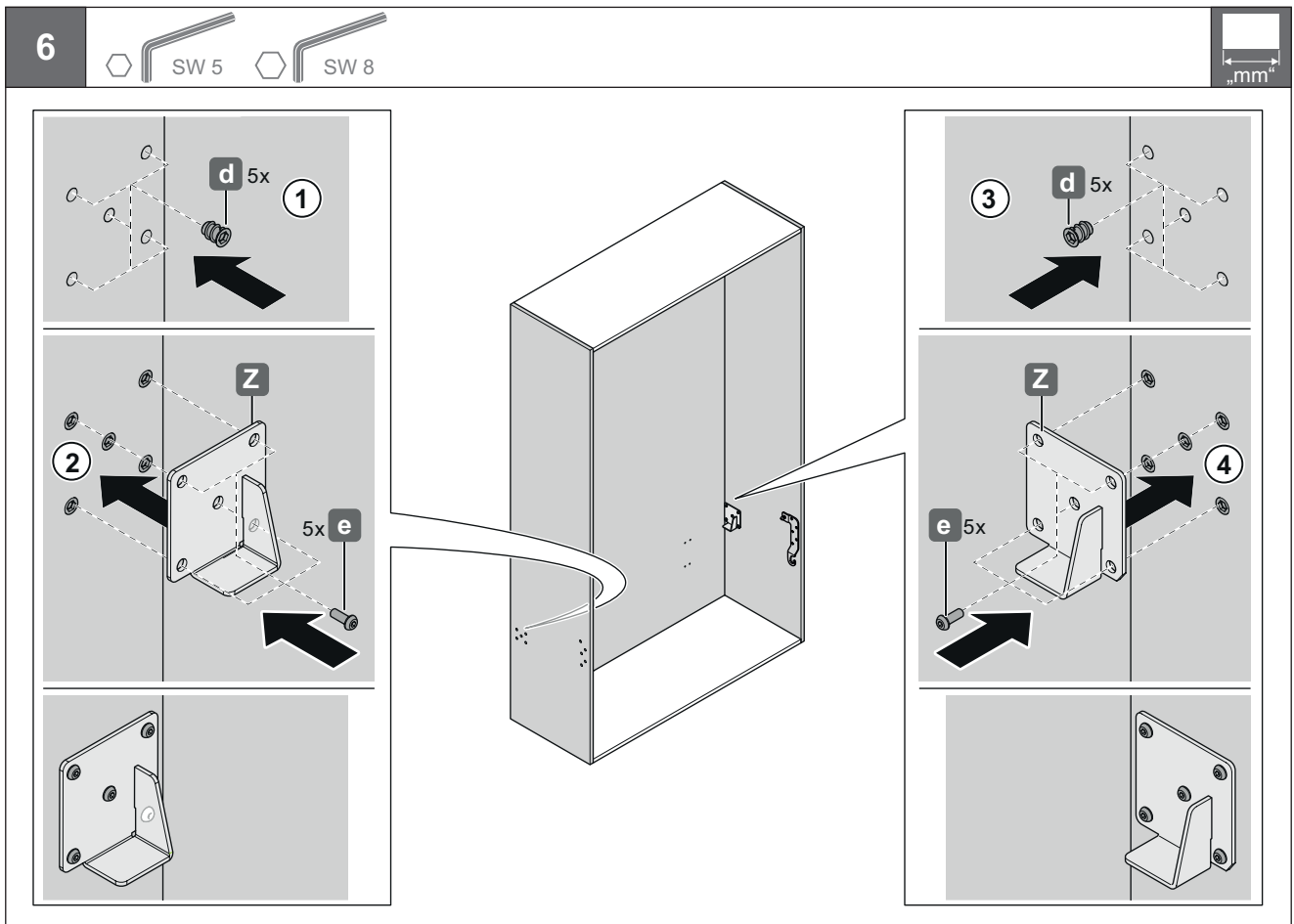
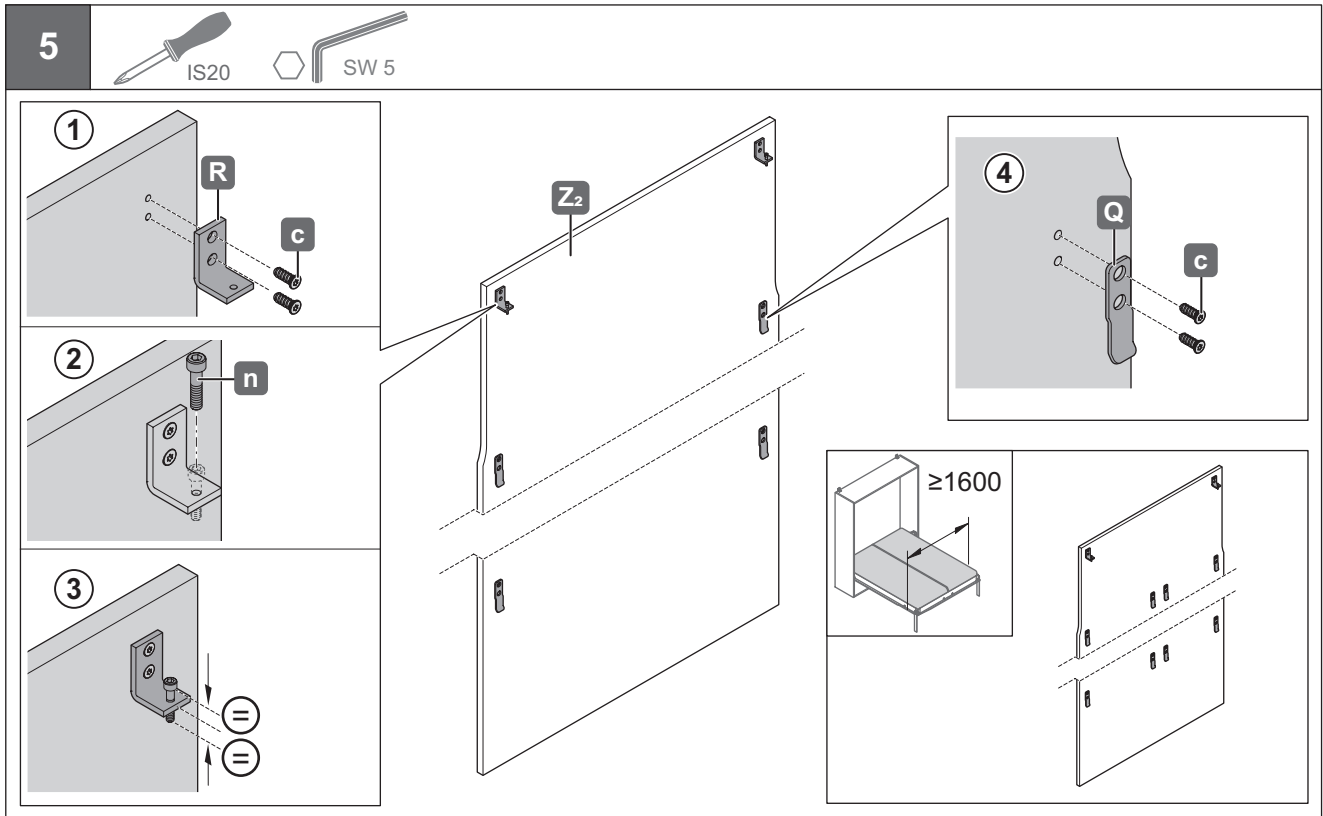
**1**

**2**

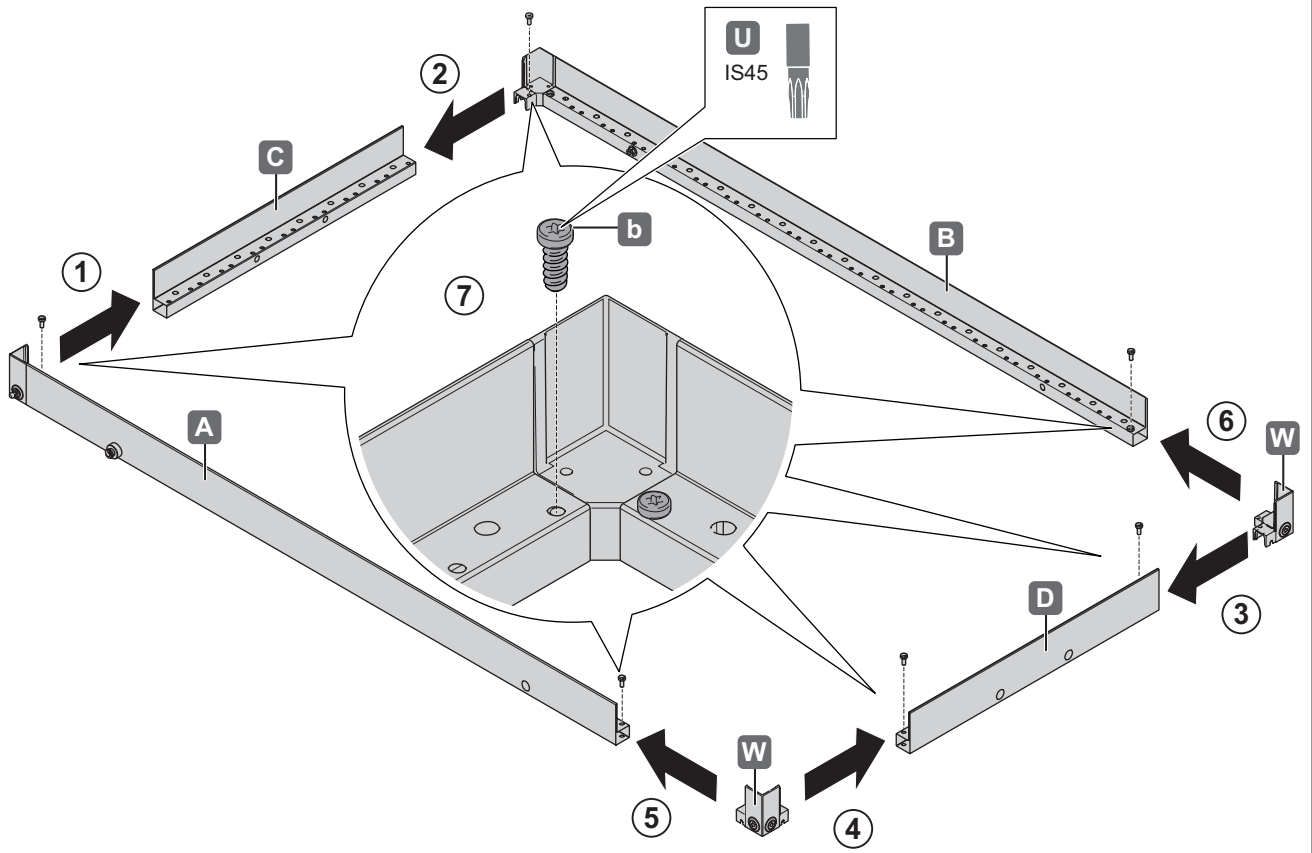
732.22.279

[WS132]

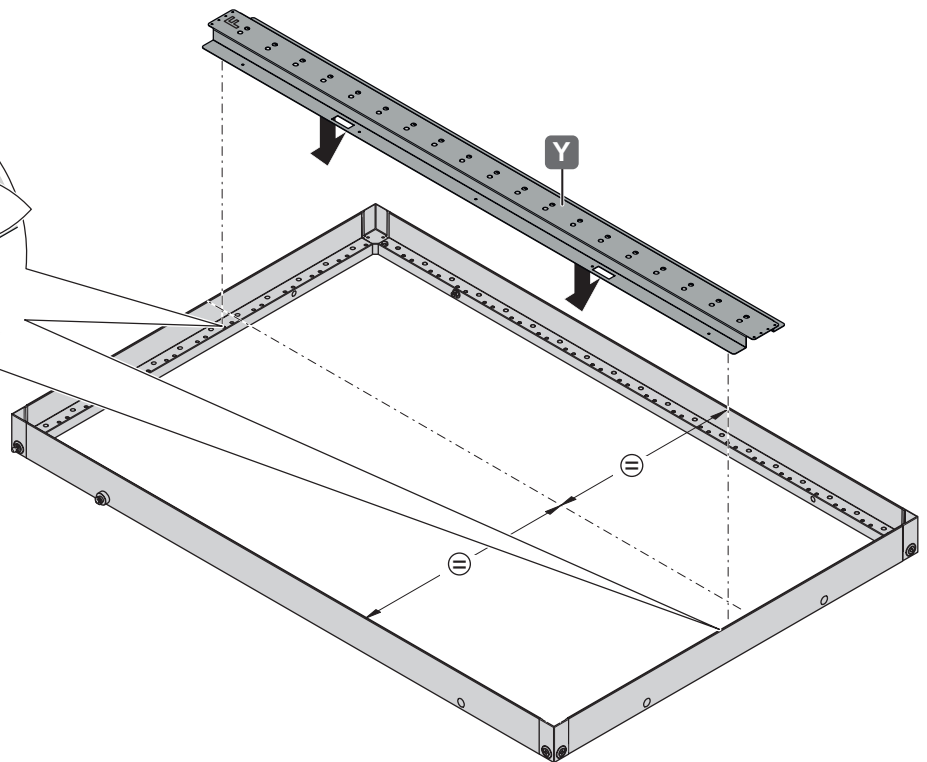
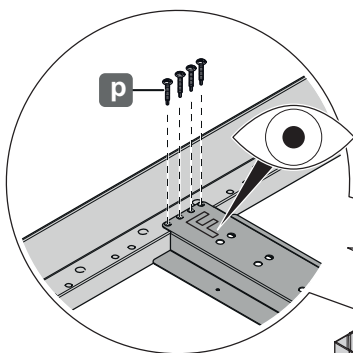
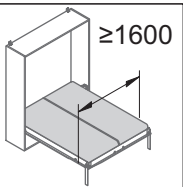
HDE 16.04.2024



7

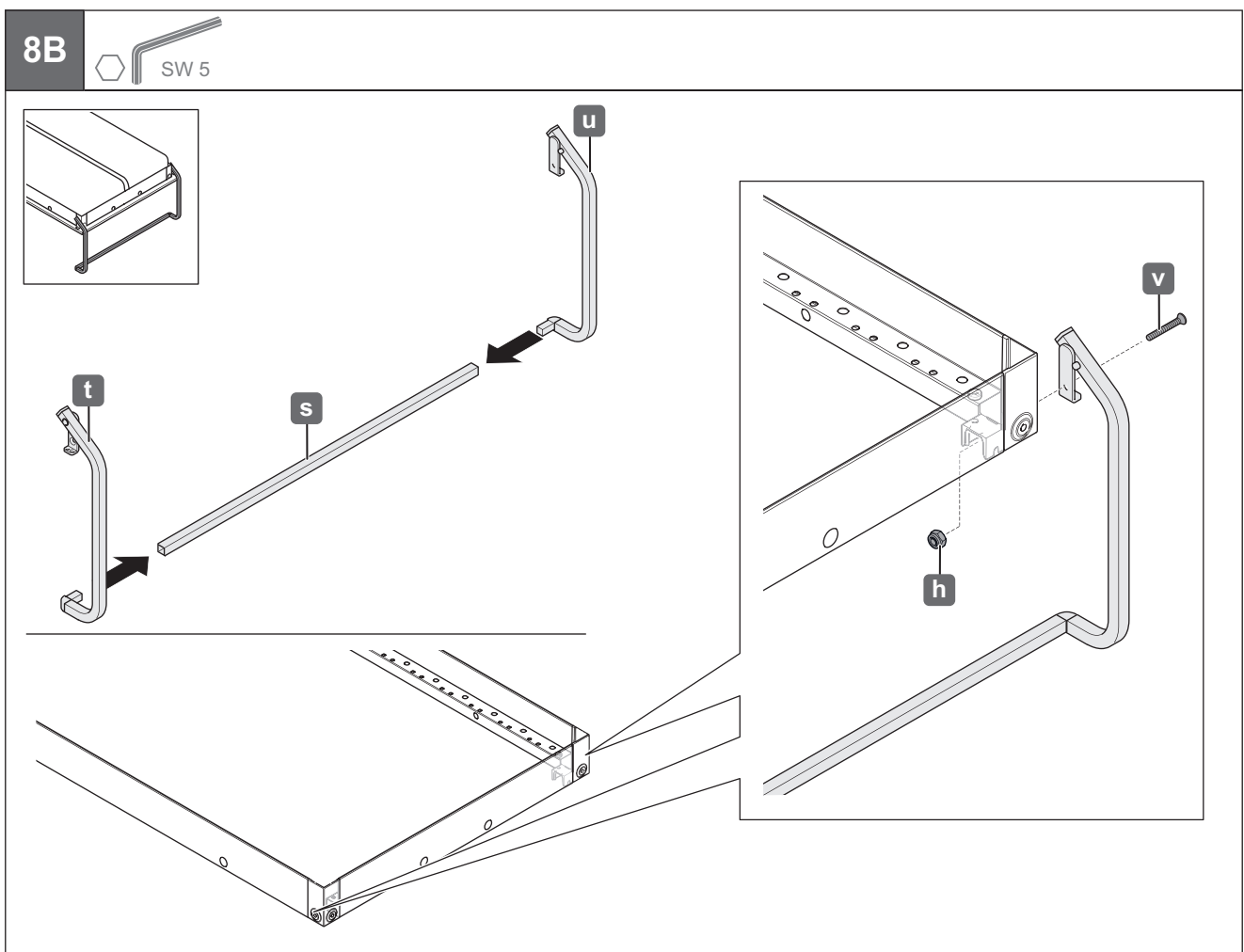
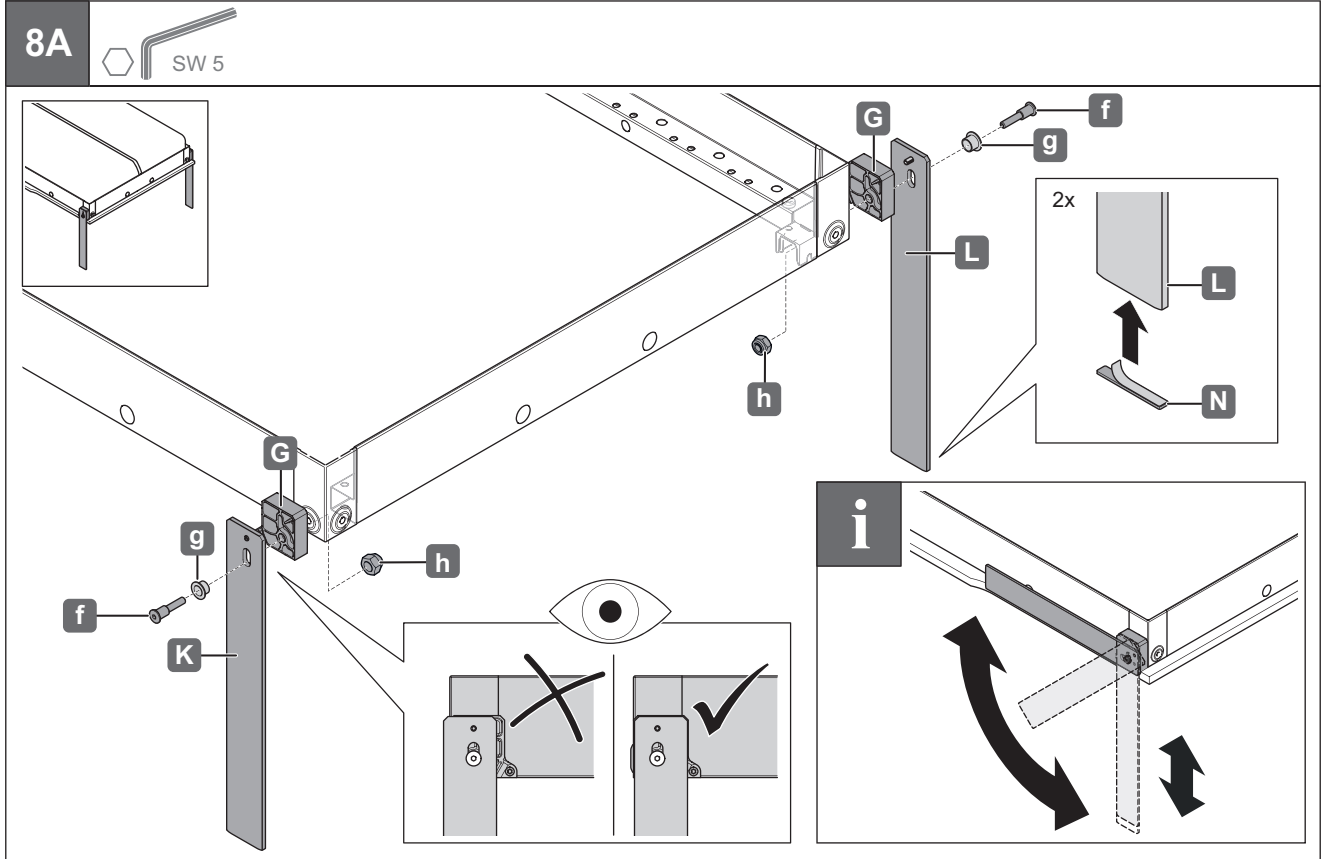


732.22.279



[WS132]

HDE 16.04.2024

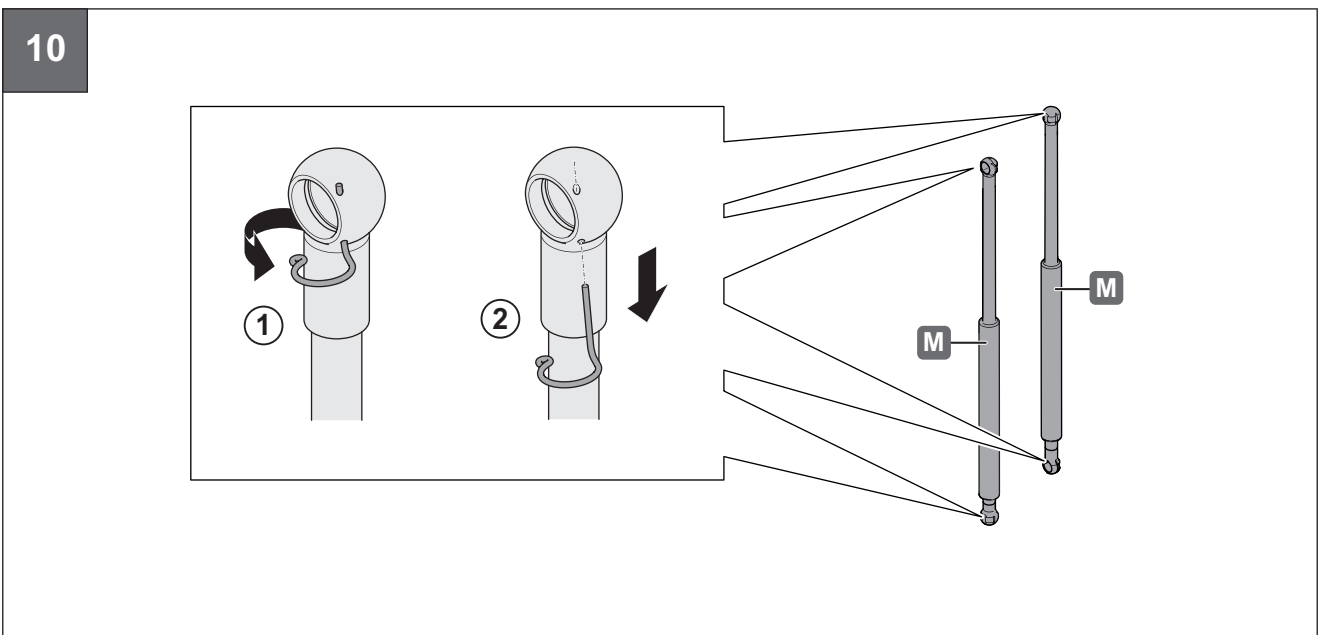
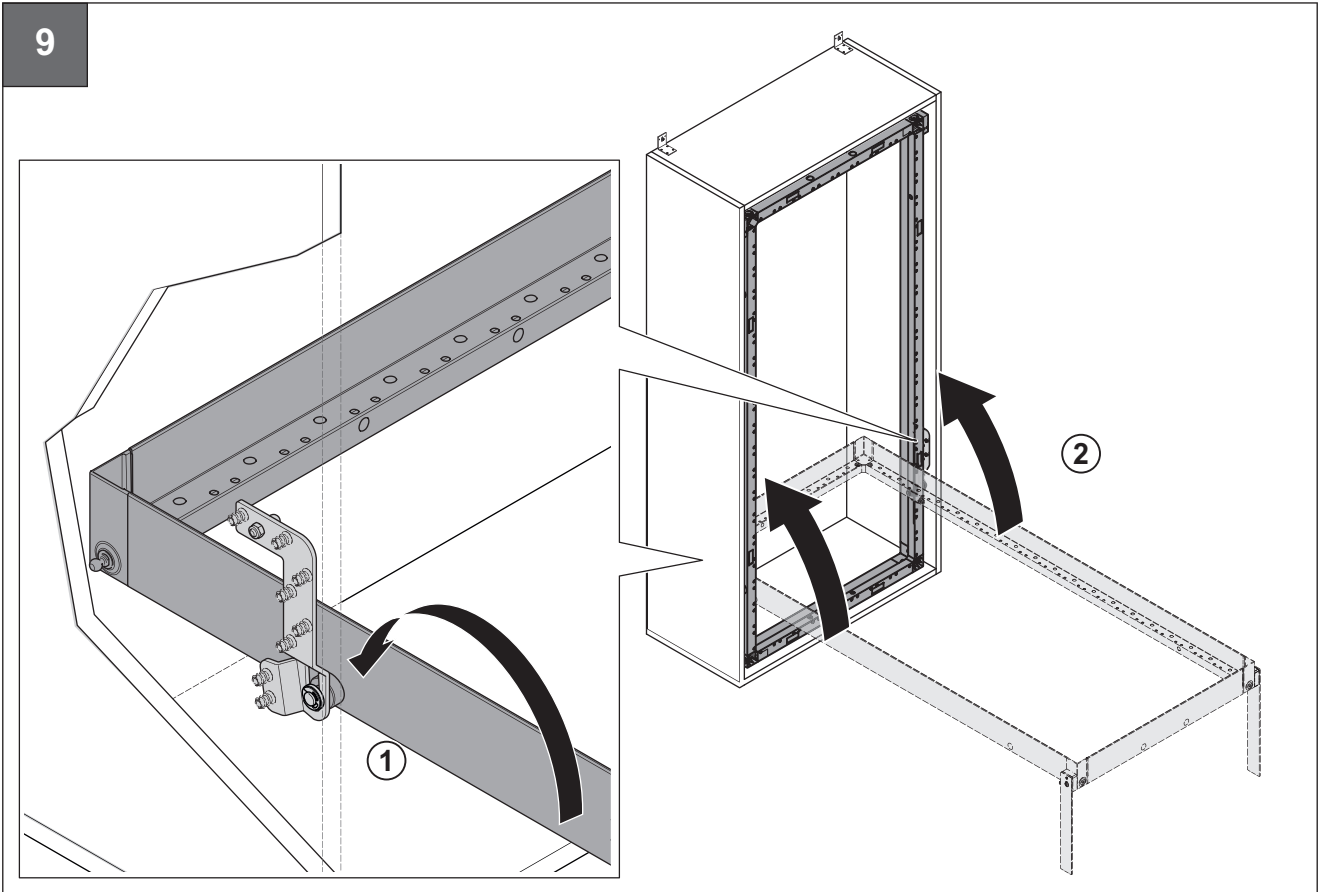


732.22.279

[WS132]

HDE 16.04.2024



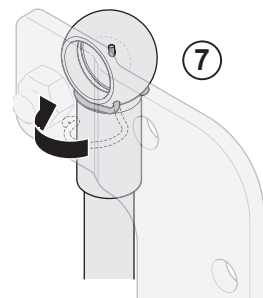
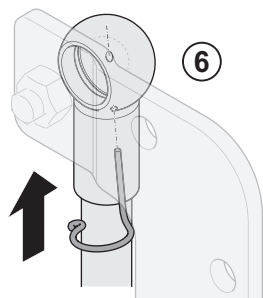
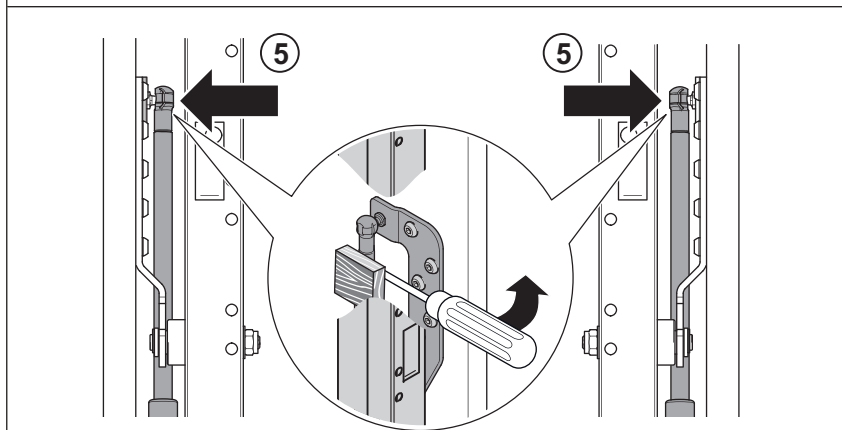
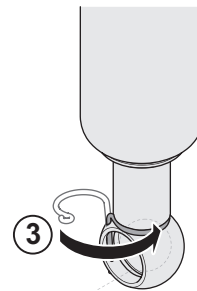
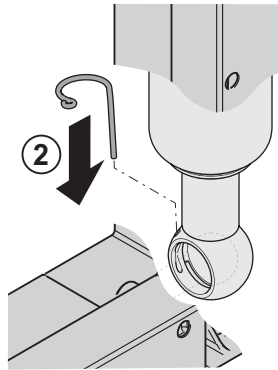
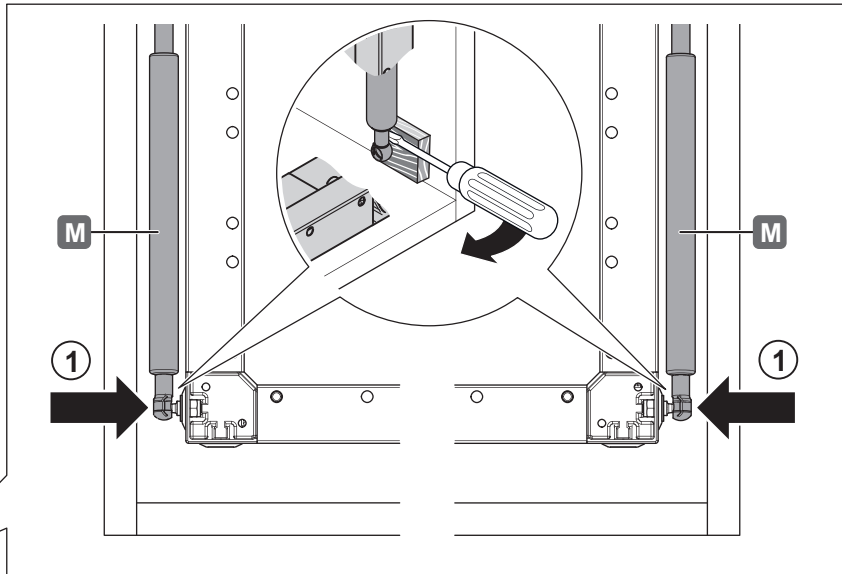
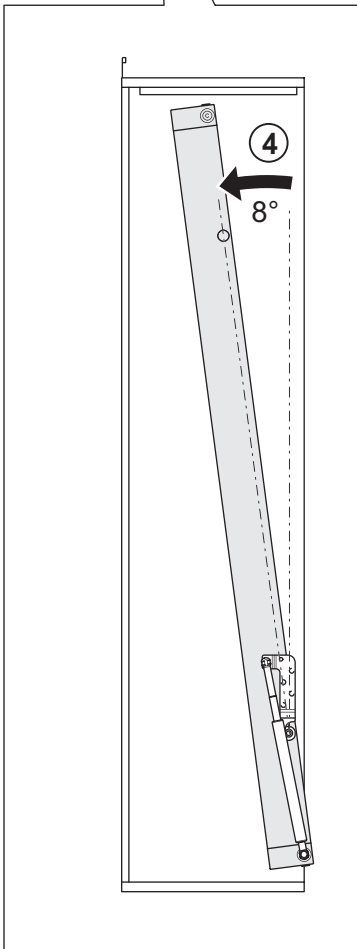
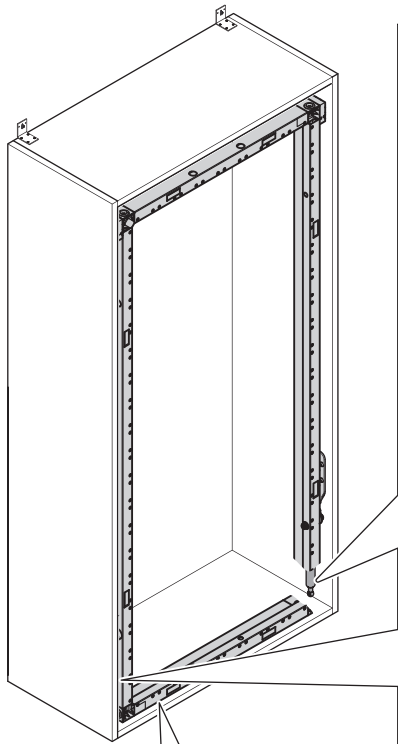


732.22.279

[WS132]

HDE 16.04.2024

11

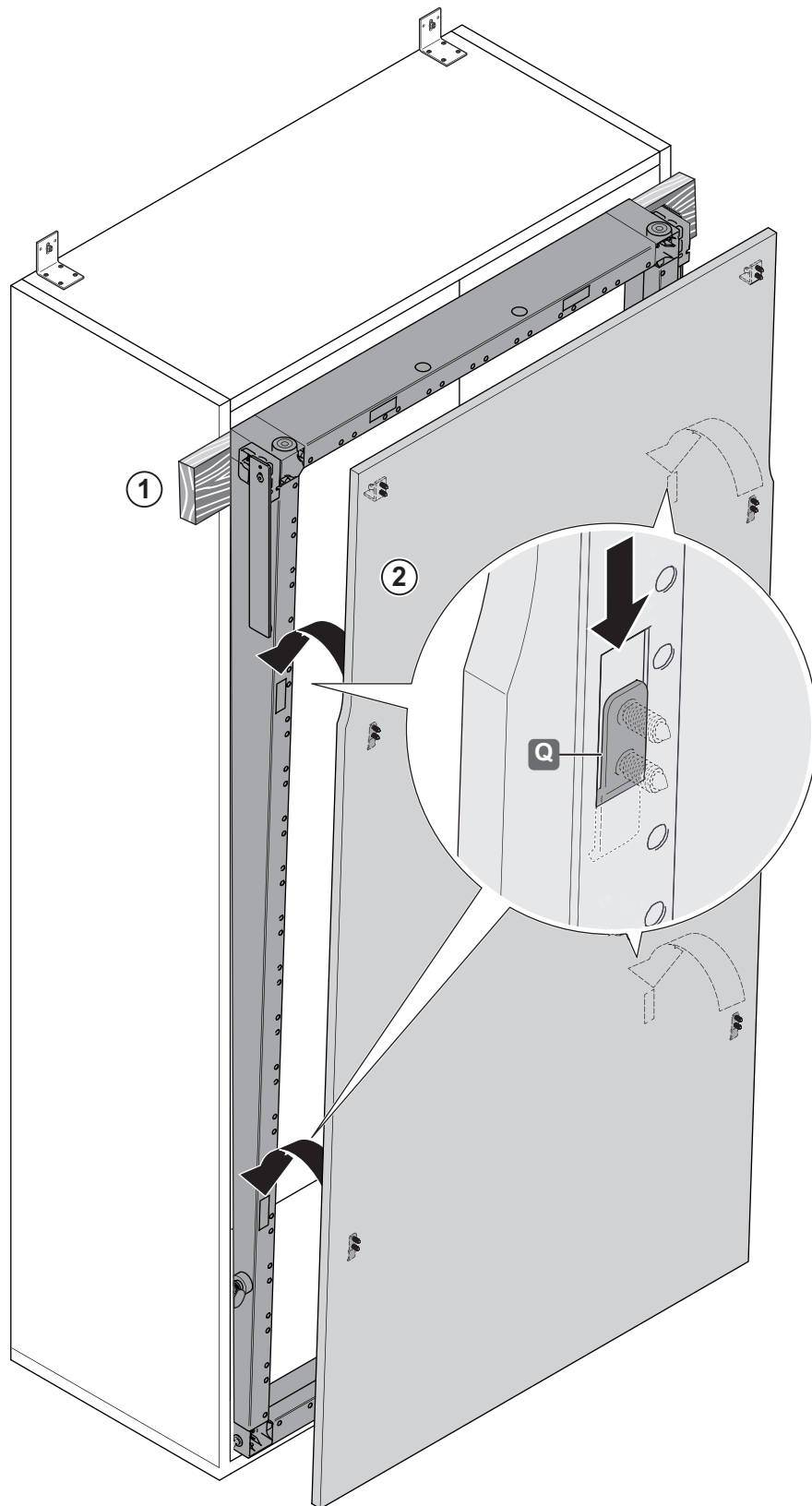


732.22.279

[WS132]

HDE 16.04.2024

12

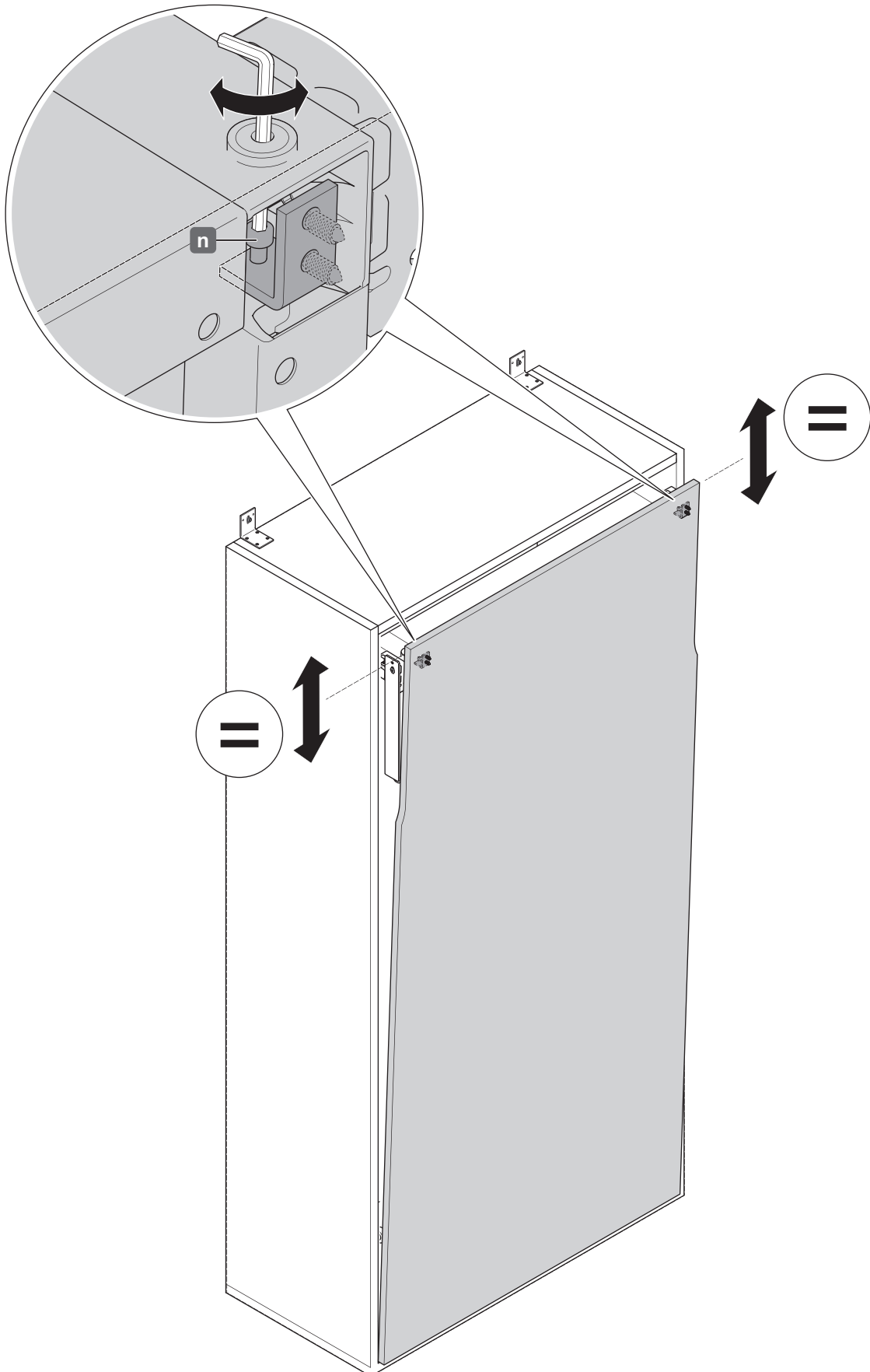


732.22.279

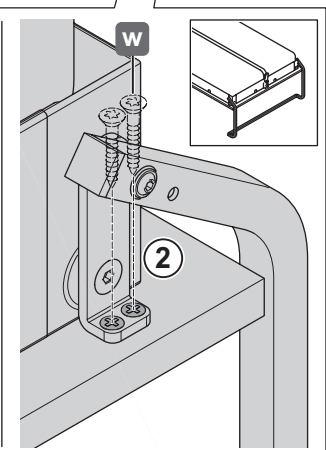
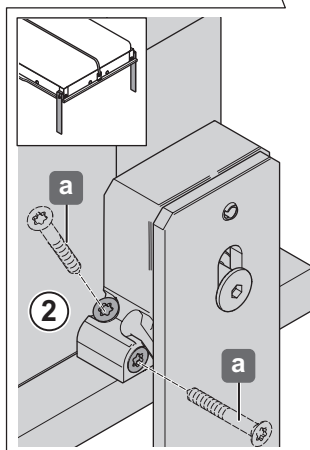
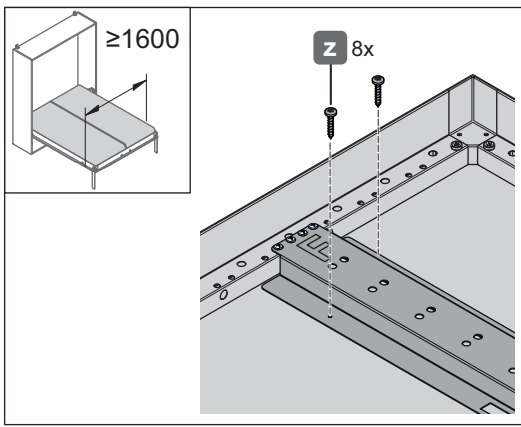
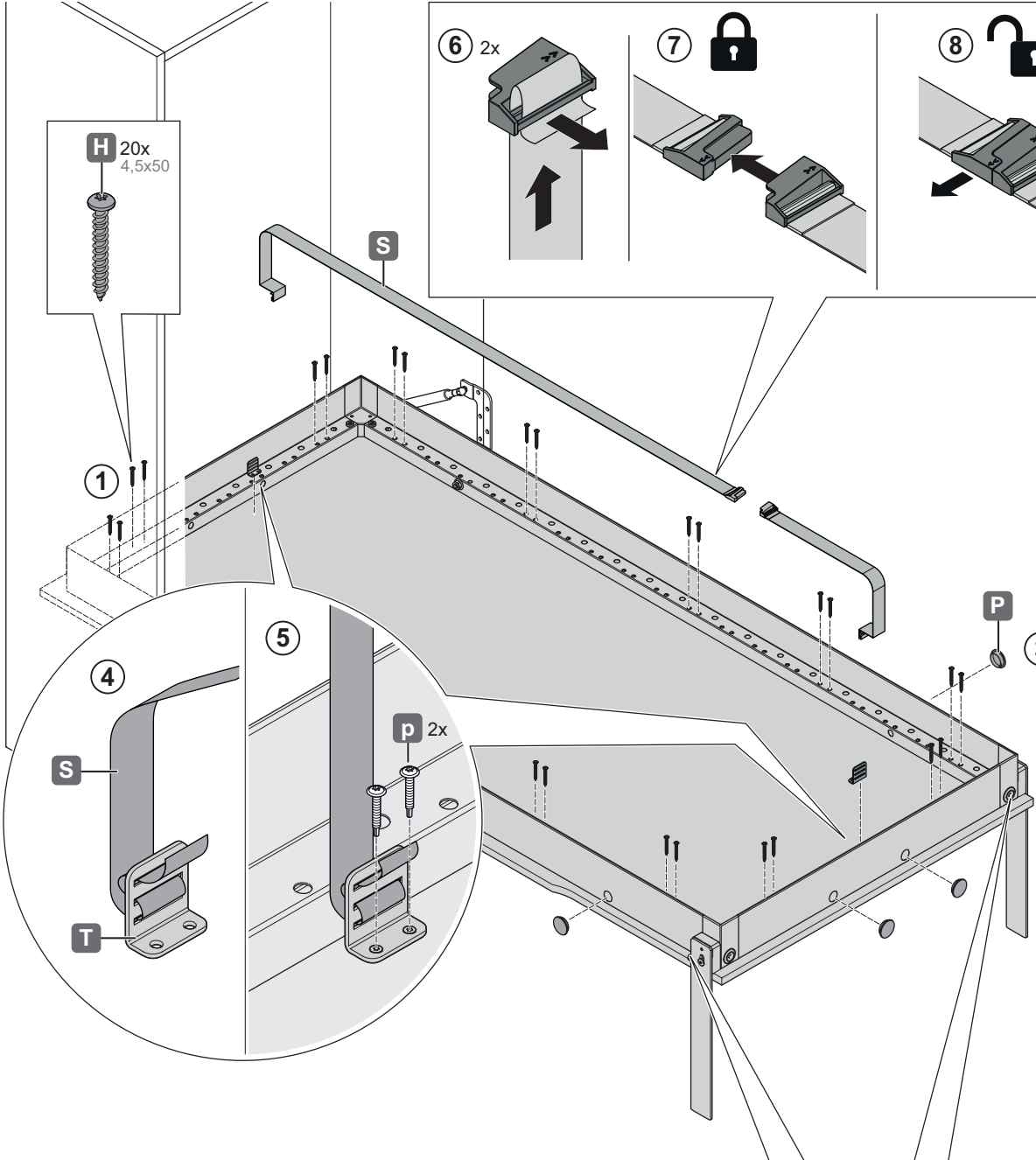
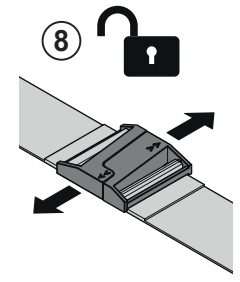
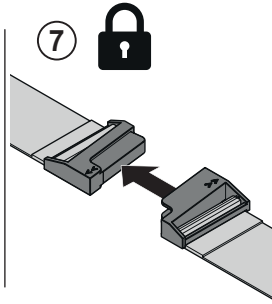
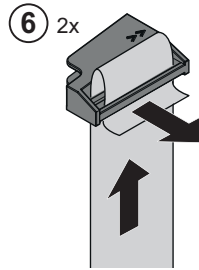
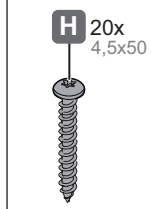
[WS132]

HDE 16.04.2024

13



14

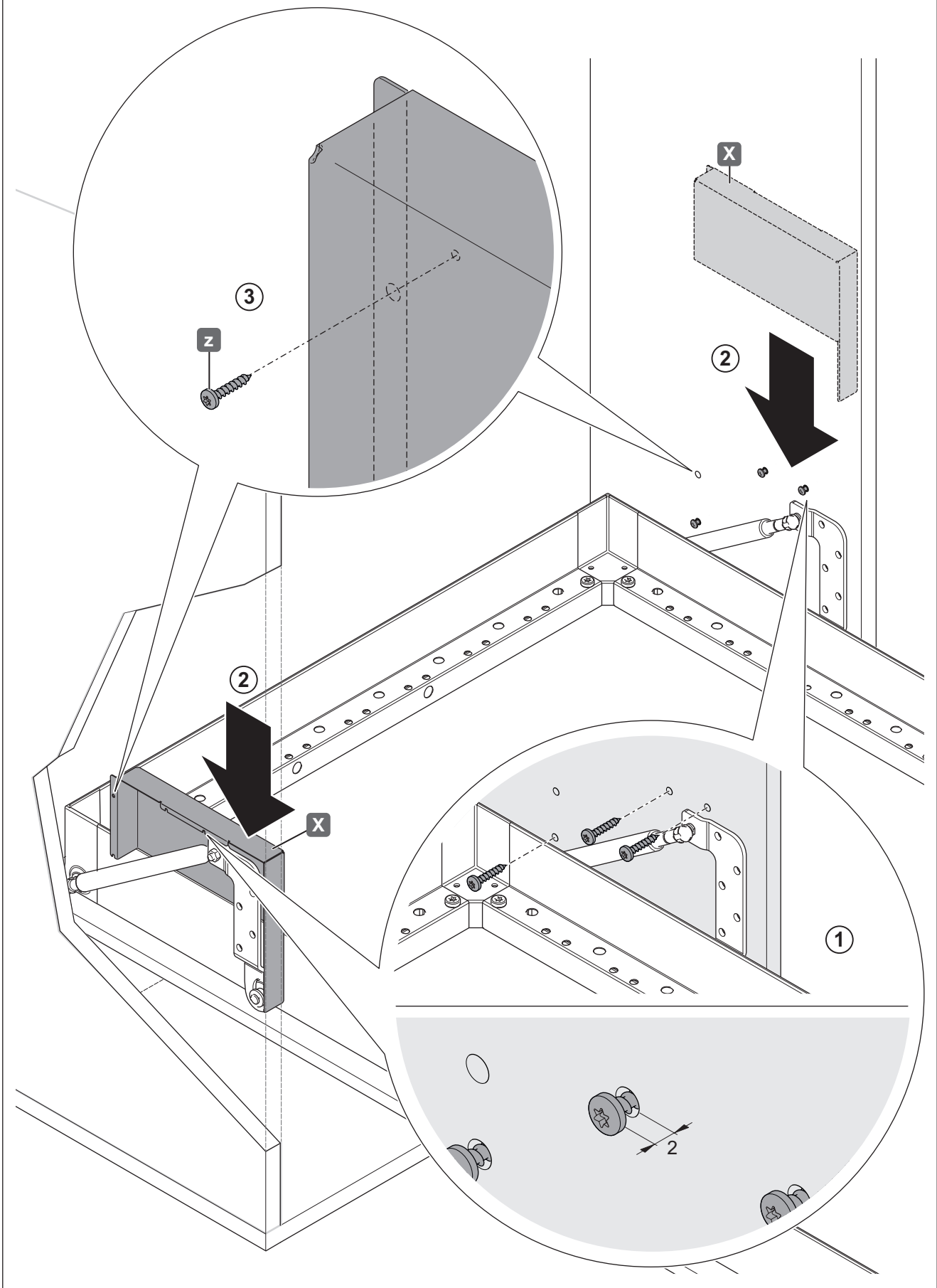


732.22.279

[WS132]

HDE 16.04.2024

15

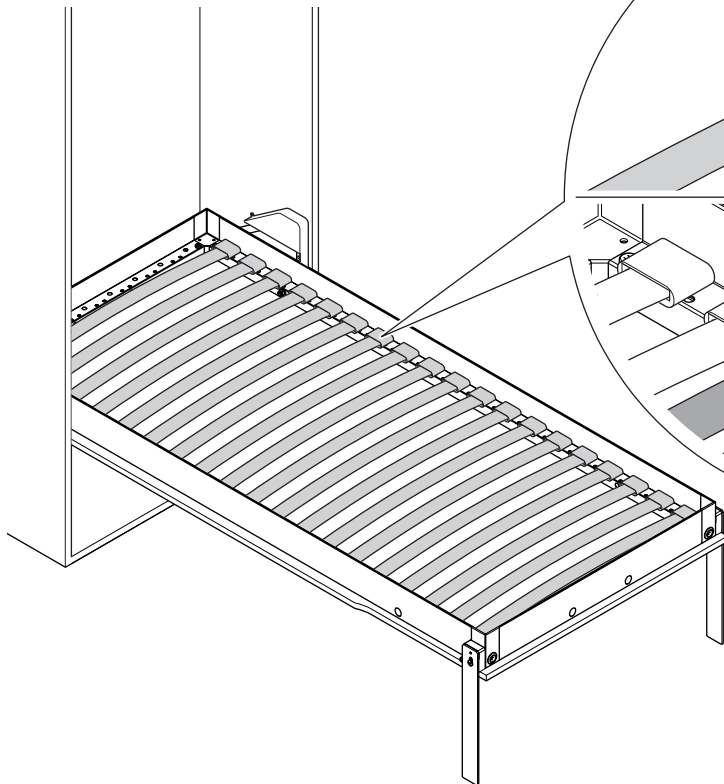
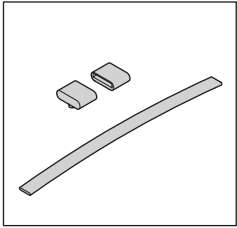


732.22.279

[WS132]

HDE 16.04.2024

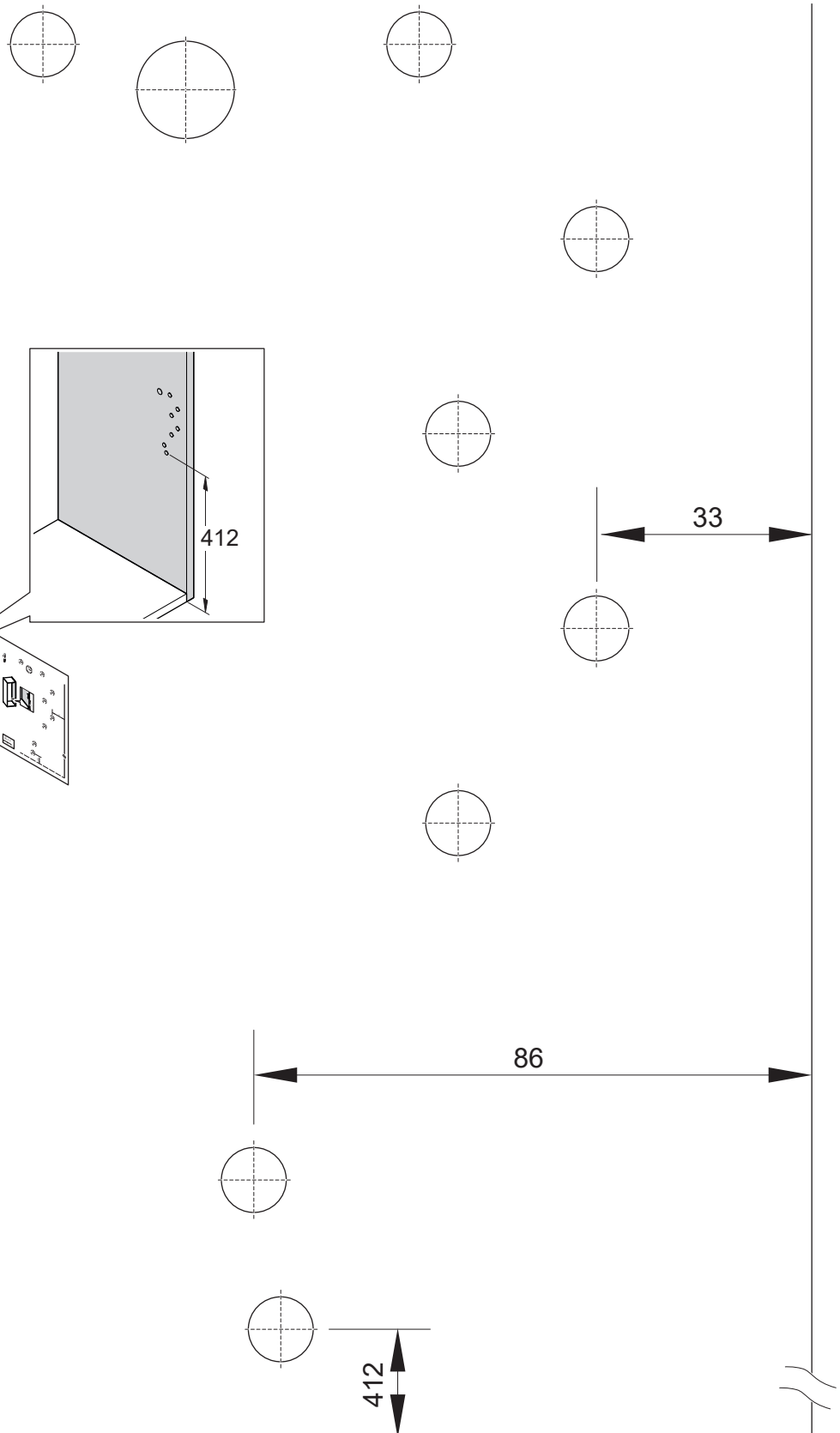
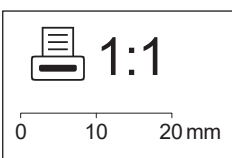
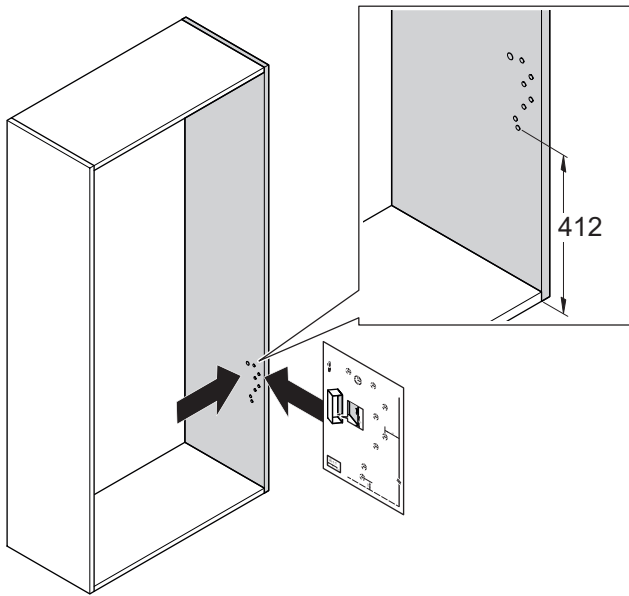
i



732.22.279

[WS132]

HDE 16.04.2024

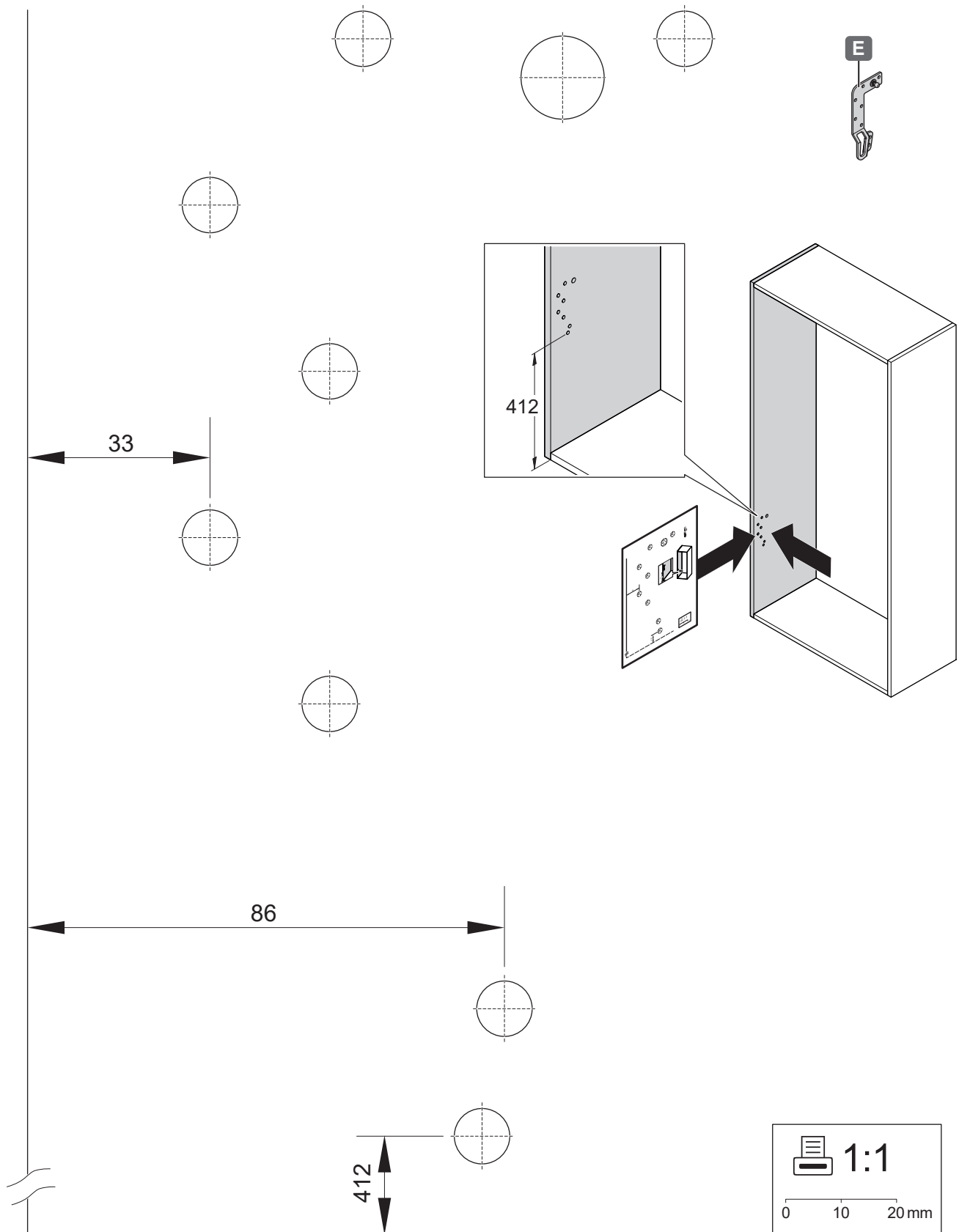


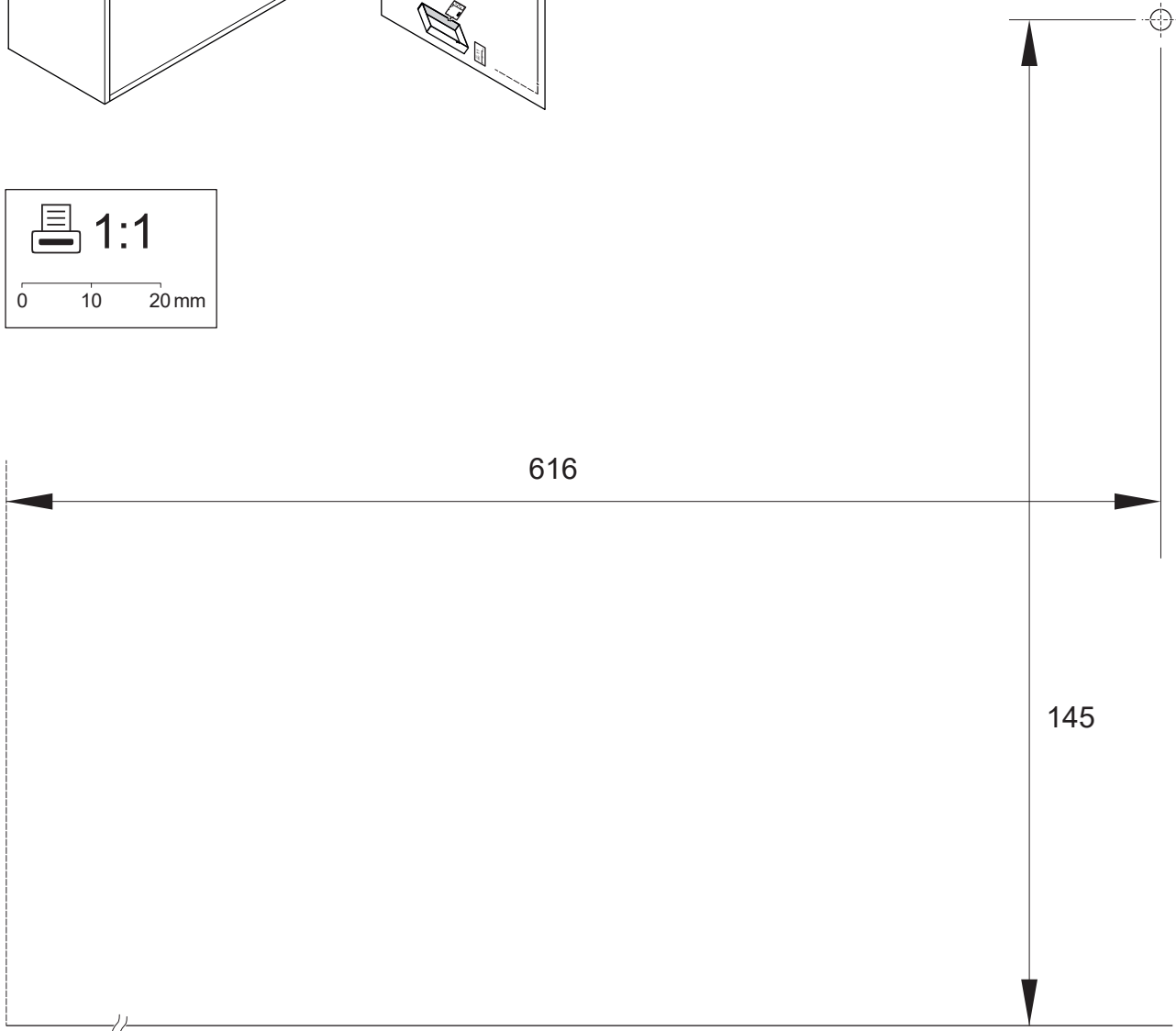
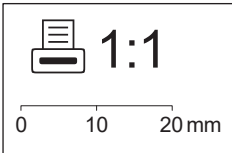
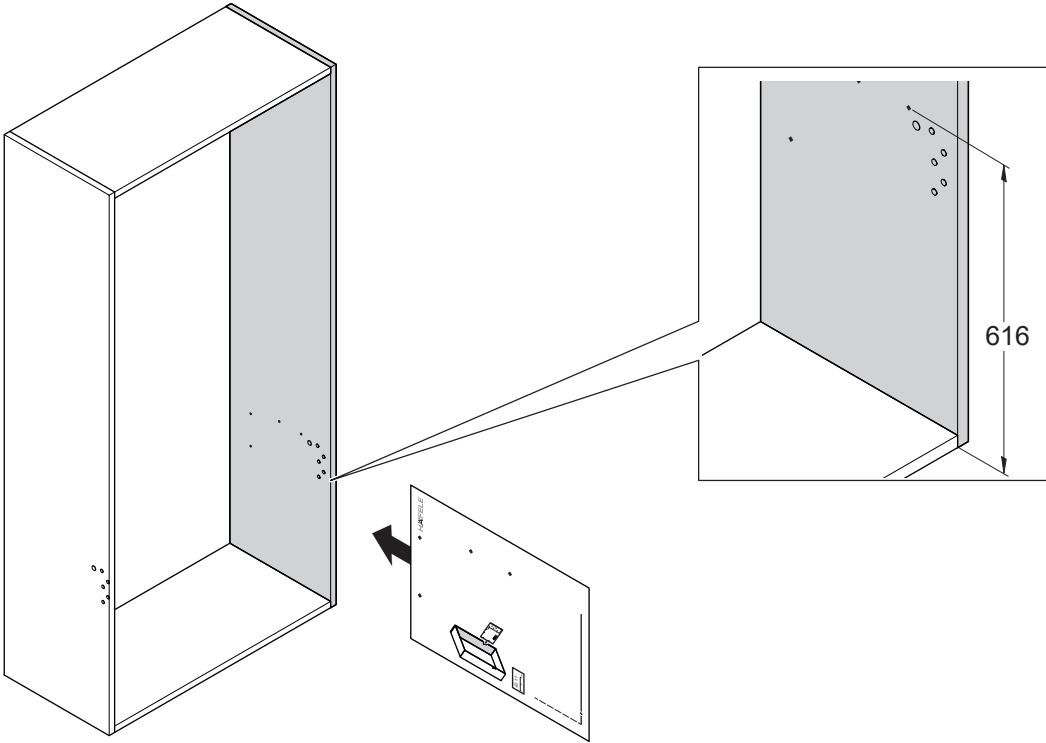
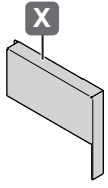


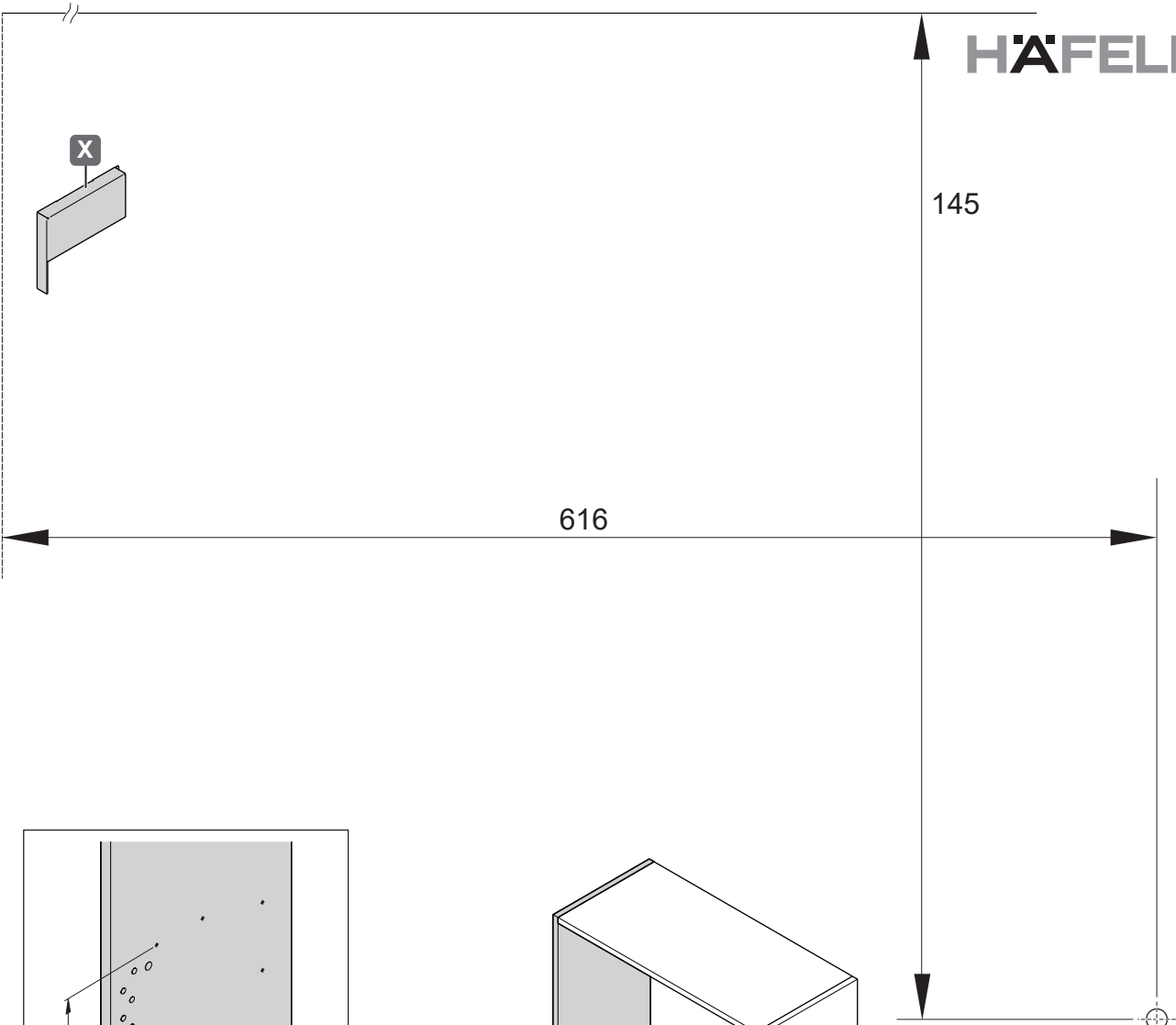
732.22.279

[WS132]

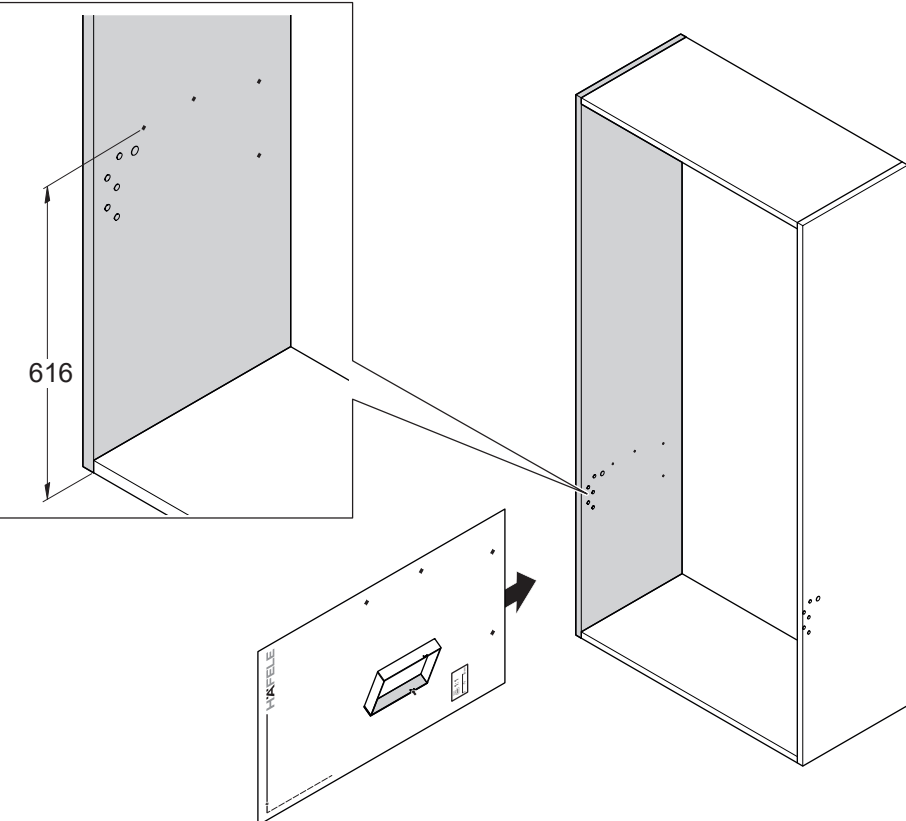
HDE 16.04.2024



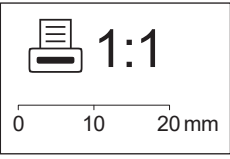




732.22.279

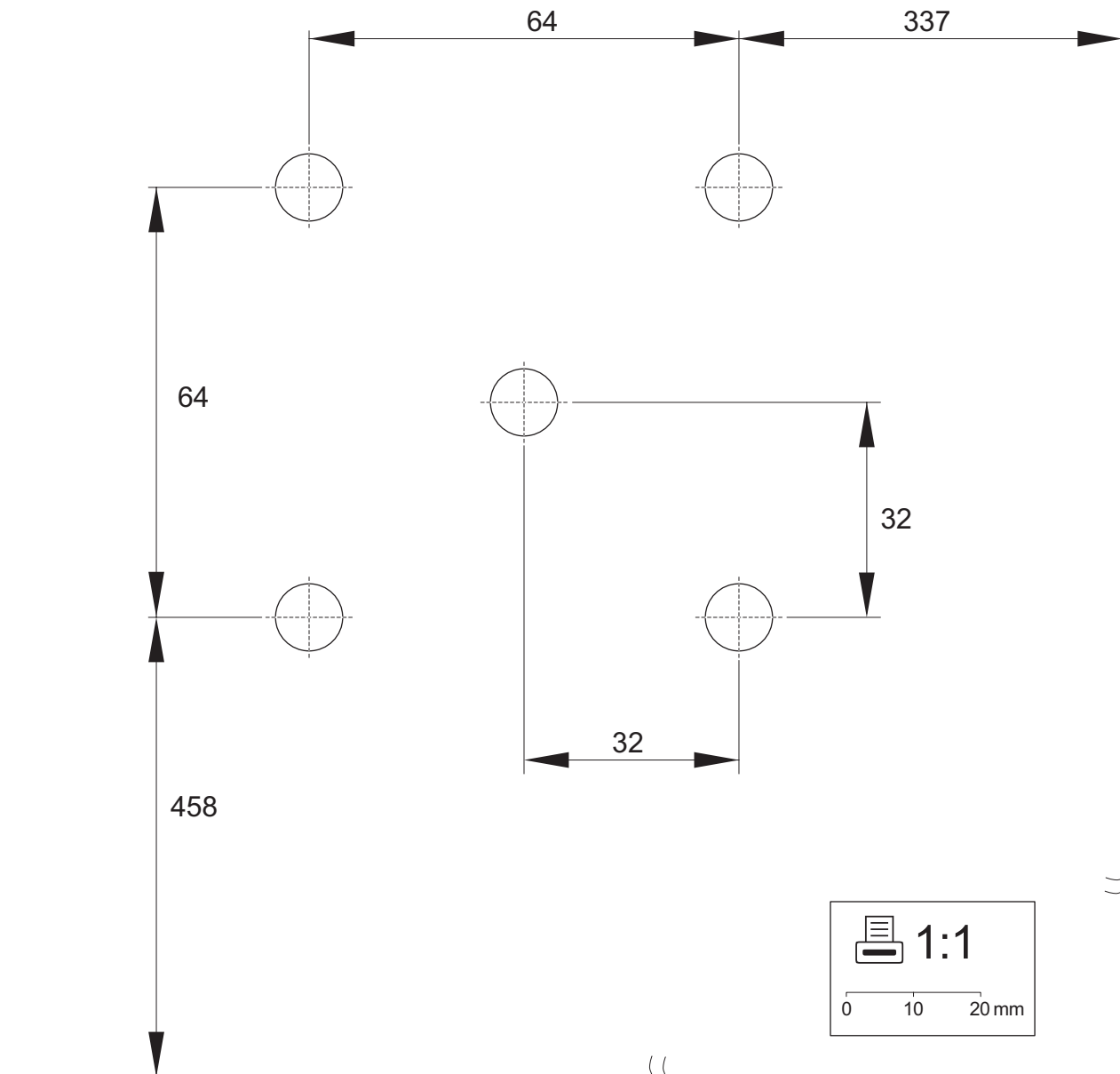
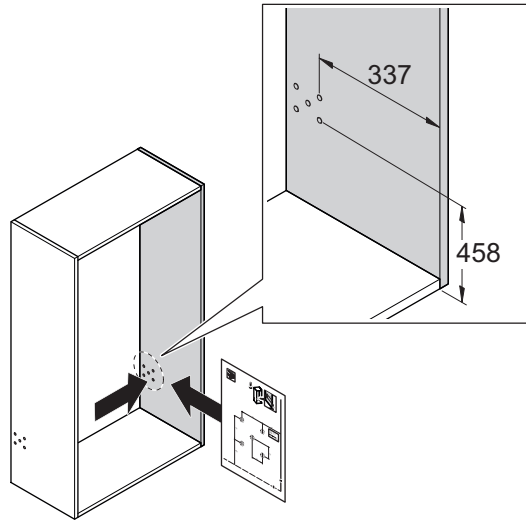
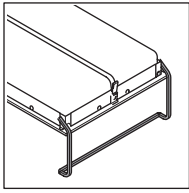


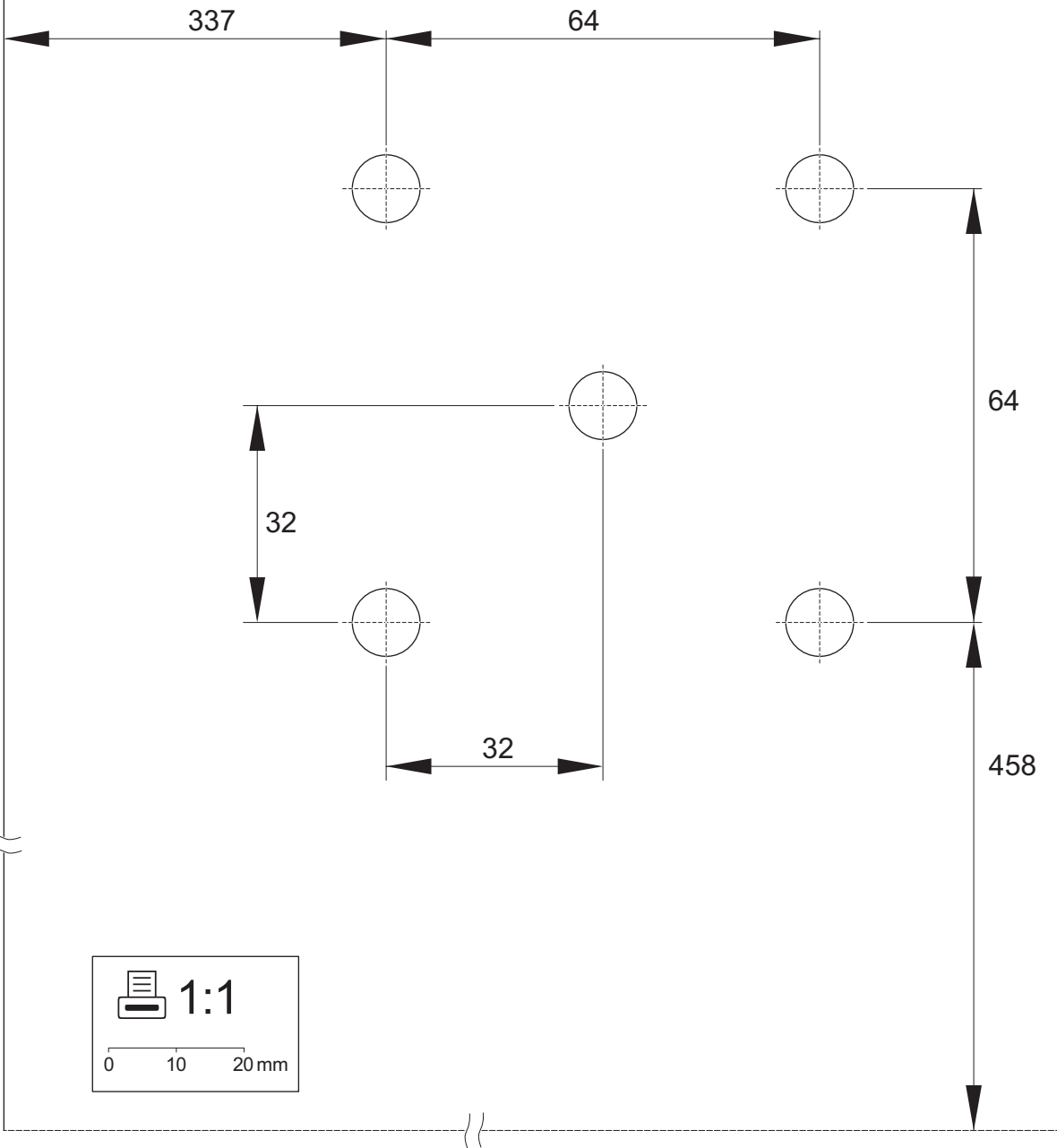
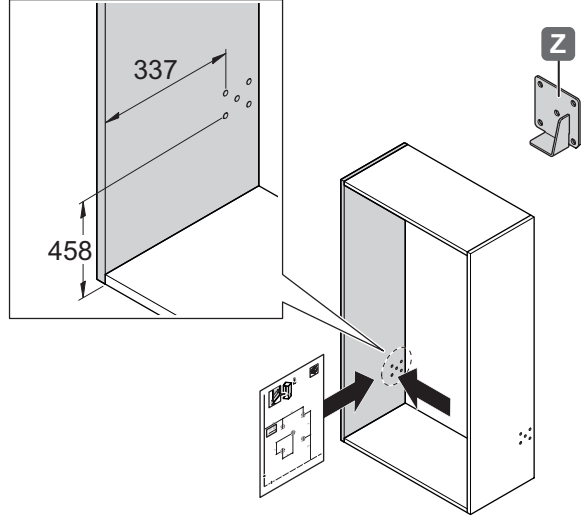
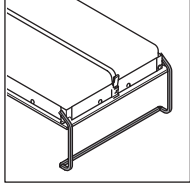
[WS132]



HDE 16.04.2024







732.22.279

[WS132]

HDE 16.04.2024



732.22.279

[WS132]

HDE 16.04.2024

732.22.279

[WS132]

HDE 16.04.2024