



EFL 3 / EFL 3C

237.59.000
237.59.001



www.hafele.com

	12 V System			
237.59.000 237.59.001	12 V DC	1000 N	<200 mm	0-50 °C



+

E

237.56.312

F

237.56.315

G

079.00.013

H

079.00.027

K

237.59.020	0,5
237.59.021	1,0
237.59.022	3,0
237.59.023	5,0
237.59.024	10,0

ZN 6.208.000.90c

732.22.027

i

Dimensions: 12, 19, 4, 3, 12, 30, 6, 32, 48, 90, 4.5, 5, 5.3, 32, 42, 19, 10, 0.

„mm“

1

1: Attach component B to D.
2: Attach component C to the device.
3: Attach component F to the device.

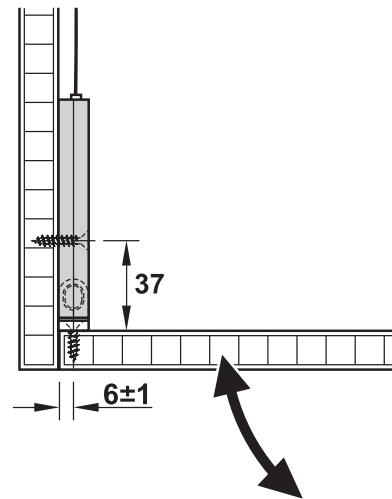
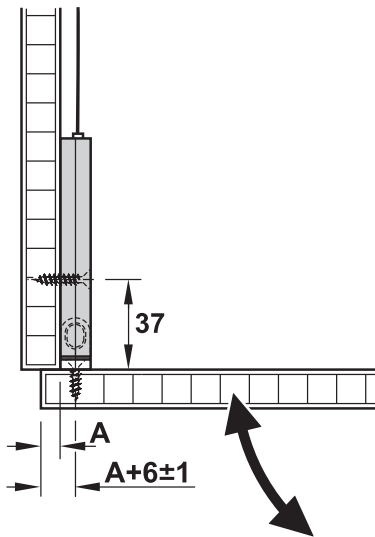
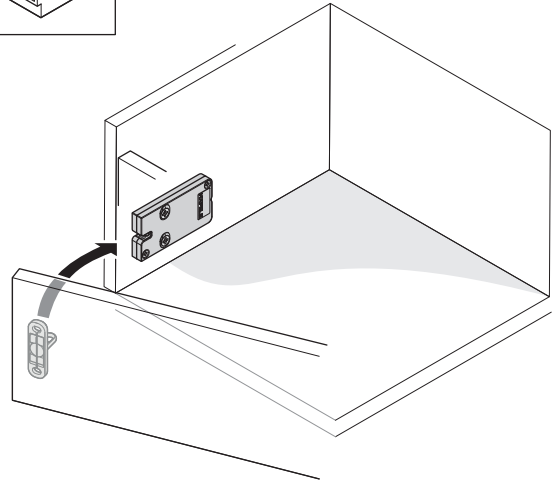
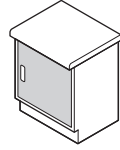
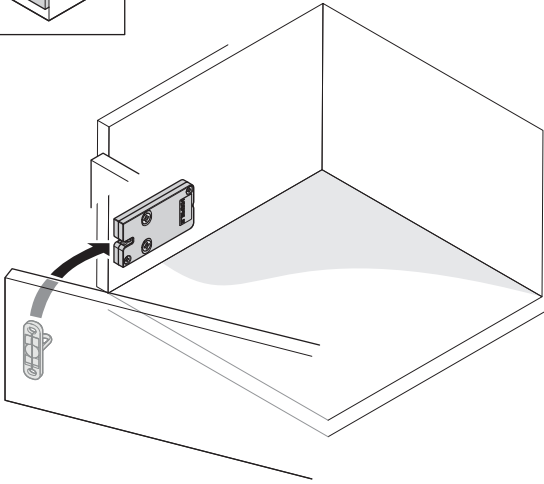
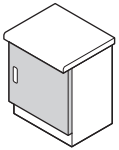
i

Component F: 237.56.315

HDE 16.07.2021

i

„mm“

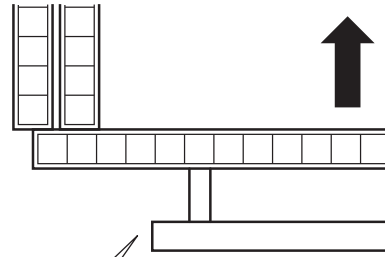
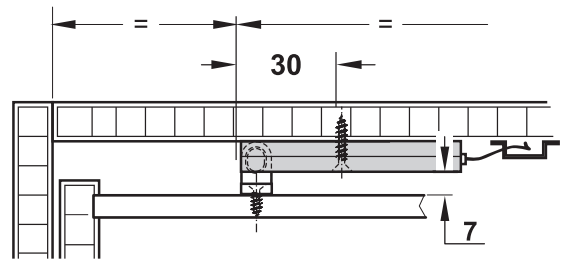
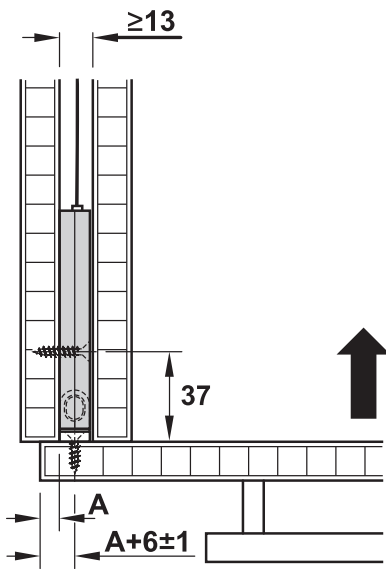
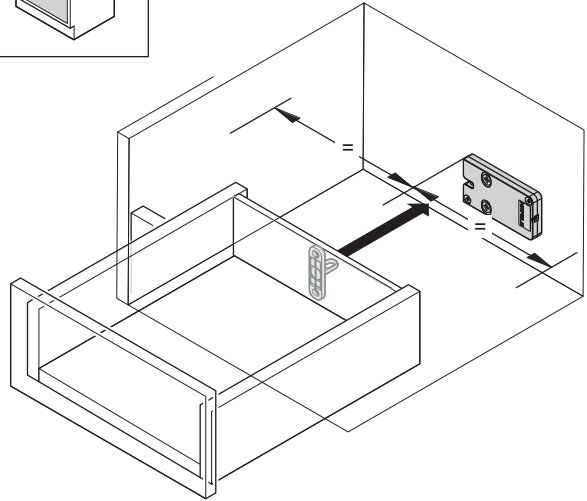
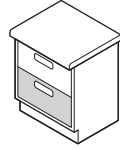
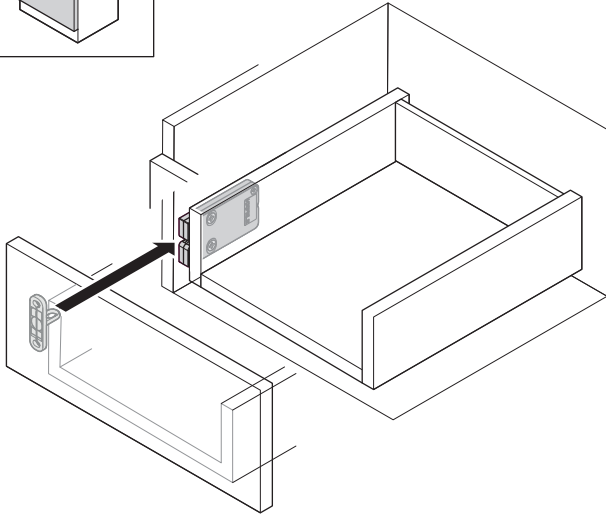
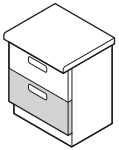


732.22.027

HDE 16.07.2021

i

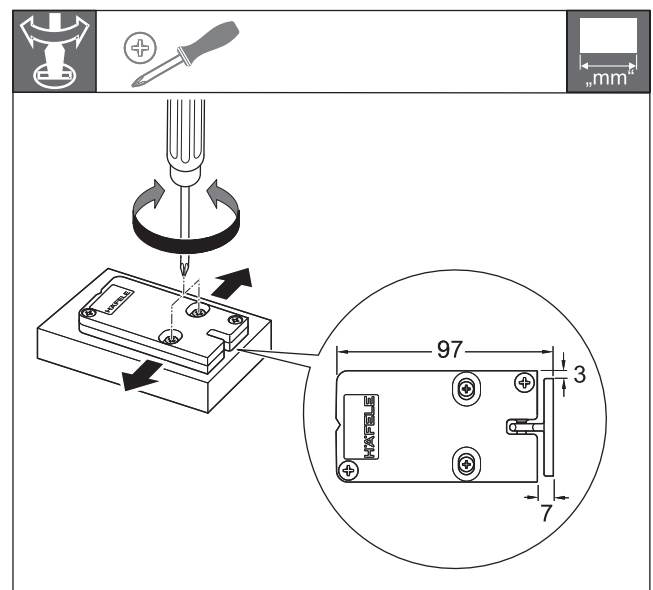
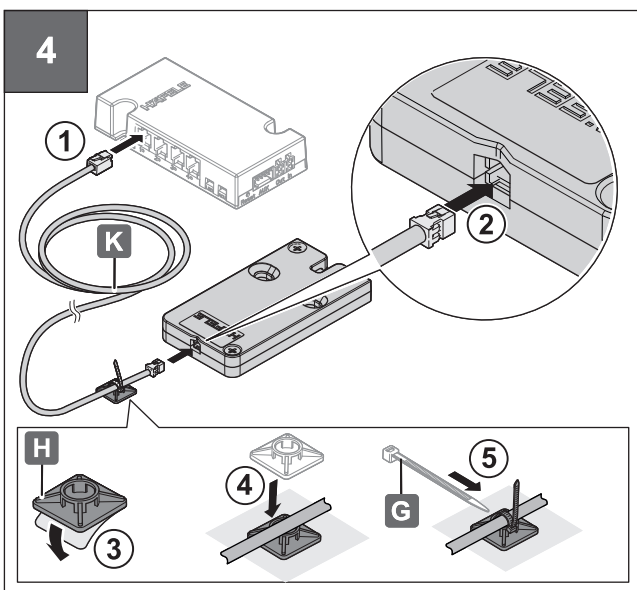
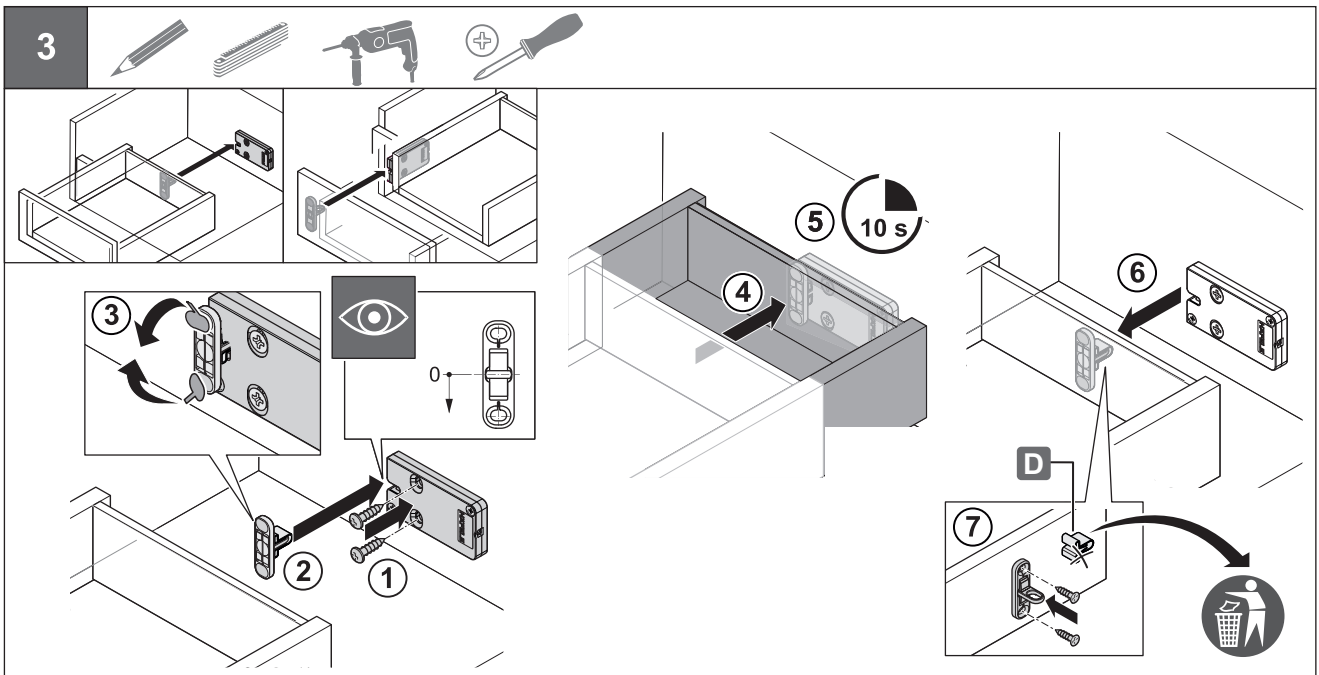
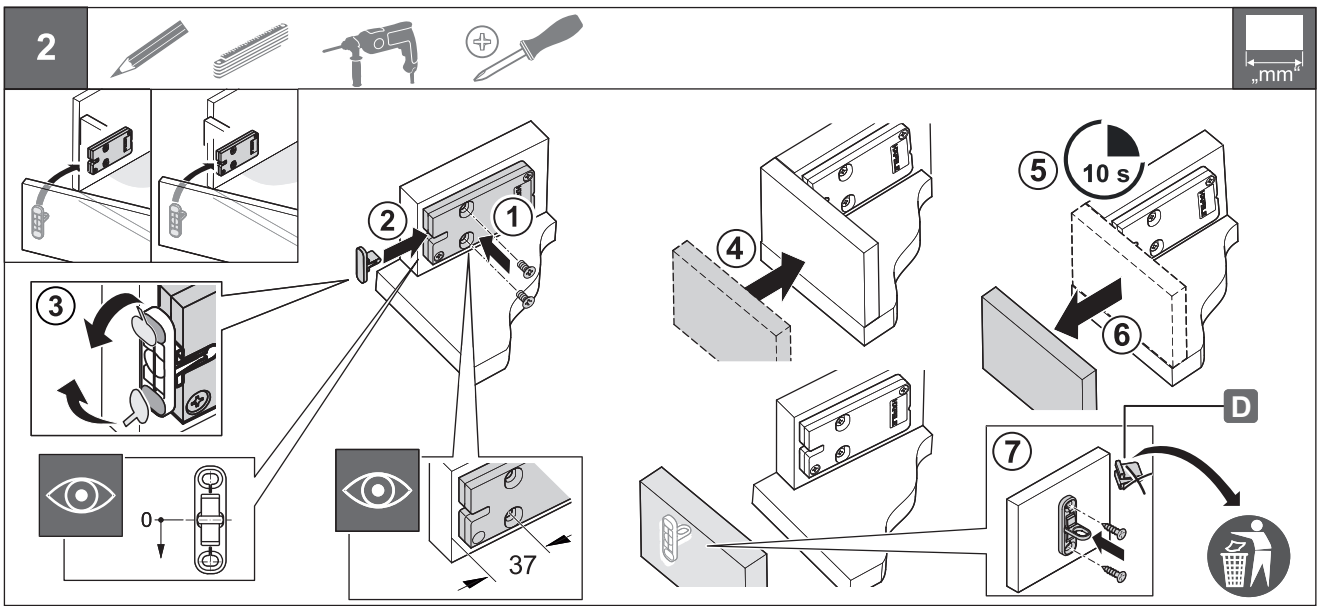
„mm“



4.

732.22.027

HDE 16.07.2021



732.22.02T

HDE 16.07.2021