

# HÄFELE



## HOME APPLIANCES 2019

 **DEUTSCHE  
QUALITÄT**  
SEIT 1923  
GERMAN QUALITY. SINCE 1923.

# WARRANTY OVERVIEW

**2**  
YEARS

## FROM PURCHASE TO USE. WE'VE GOT YOUR BACK!

Appliances are, without doubts an indispensable part of your kitchen. That's why Häfele kitchen appliances come with a variety of size, shapes and finishes so you can easily choose the one that best suits your needs. They are also made with energy efficiency, enabling you to live a more sustainable life. Last but not least, a free 2 year limited warranty will give you a peace of mind using our products.



## ► OVEN

Built-In Combi Oven with  
Steam/ Black Series/  
Collection 900



**HBO-T60B**



Art. No. 535.02.711

MYR 13,920.00

- 12 Multifunction
- Oven Cleaning Aqualytic Cleaning System, Capacity: 66 litres
- Steam Oven 10 Functions with 53 Preset Menu
- Cook Book, Digital Photo Slide Show
- Dimension of Product: 595W x 575D x 595H mm
- Cut-Out Dimension: 560W x 560D x 600H mm

Built-In 8-Function Oven/  
Collection 500



**HO-K60B**



Art. No. 534.05.581

MYR 3,999.00

- 8 Multifunction
- Capacity: 65 litres
- Full Triple Glass Door With Ventilation And Easy Inner Clean
- Knob Illuminated Push Pull
- Dimension of Product: 595W x 595D x 595H mm
- Cut-Out Dimension: 560W x 575D x 595H mm

Built-In Oven/  
Collection 500



**HO-KTC60C**



Art. No. 534.05.571

MYR 4,599.00

- 10 Multifunction
- Capacity: 65 liters
- Full Triple Glass Door With Ventilation And Easy Inner Clean
- Knob Illuminated Push Pull
- Dimension of Product: 595W x 595D x 595H mm
- Cut-Out Dimension: 560W x 575D x 595H mm

Built-In Oven/  
Collection 500



**HO-KT60E**



Art. No. 535.00.340

MYR 3,699.00

- 12 Multifunction
- 2 Glass Layer
- Capacity: 65 liters
- Stainless Steel Panel
- Knob & Touch Control
- Aqualytic Cleaning System H2O
- Dimension of Product: 597W x 595H x 547D mm
- Cut-Out Dimension: 560W x 583-600H x 550D mm

## ► MICROWAVE

44L Built-In Combi Microwave Oven with Grill/ Black Series/ Collection 900



**HO-KT45B**

Art. No. 535.02.731

MYR 6,864.00



- 13 Function
- Capacity: 44 litres
- Full Touch Control and Display
- Electronic Clock with Timer
- 5 Power Levels
- Defrost Function
- Child Lock Function
- Dimension of Product: 595W x 548D x 454H mm
- Cut-Out Dimension: 560-568W x Min550D x 450H mm

25L Built-In Combi Microwave Oven with Grill



**HM-B38A**

Art. No. 535.34.000

MYR 1,531.00

- 5 Microwave Function, 3 Grill/ Combi Function
- Capacity: 25 litres
- Electronic Clock With Timer
- Defrost Function
- Child Lock Function
- Dimension of Product: 594W x 410D x 388H mm
- Cut-Out Dimension: 560W x 500D x 380H mm

32L Built-In Combi Microwave Oven with Grill



**HM-B38C**

Art. No. 538.01.111

MYR 2,999.00

- 5 Microwave Power Levels, 4 Grill/ Combi Function
- Capacity: 32 liters
- Convection Mode, Multi-stage Cooking
- Defrost Function
- Child Lock Function
- Dimension of Product: 560W x 410D x 388H mm
- Cut-Out Dimension: 560W x 550D x 380H mm

## ► WARMING DRAWER

Black Glass



**HWD-60A**

Art. No. 538.51.820

MYR 3,999.00

Stainless Steel

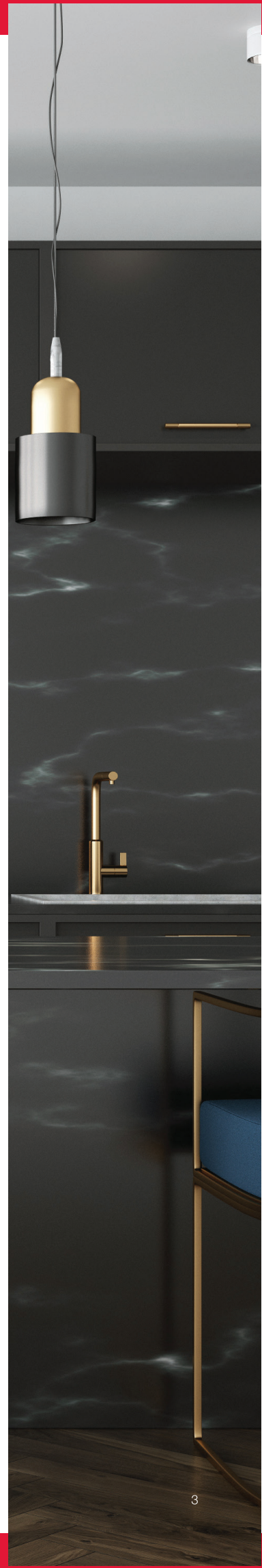


**HWD-60B**

Art. No. 538.51.821

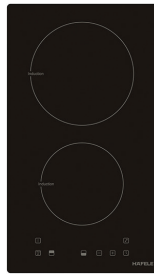
MYR 3,999.00

- Capacity: 22 litres
- Finish: Black Glass Door or Stainless Steel
- Capacity: 80 Cups & 12 Plates
- Temperature Range: 40-80°C
- Door Mechanism: Soft Close
- Speed Heating: 13 minutes to 80°C
- Sensor Safety Switches
- Dough Proving
- Gentle Cooking (Slow Cooking)
- Push To Open
- Touch Screen LED Display
- Dimension of Product: 595W x 561D x 141H mm
- Cut-Out Dimension: 540W x 420D x 97.2H mm



## ▶ INDUCTION HOB

30cm Domino Induction Hob



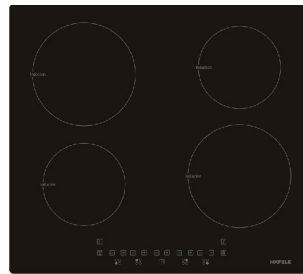
HC-ID302

Art. No. 538.06.130

MYR 1,899.00

- 30cm Induction Hob
- Touch Control
- Child Lock
- Heat Residual Indicator
- 9 Power Levels
- Timer: 99 minutes
- Auto Safety Cut Off
- Dimension of Product: 290W x 520D x 50H mm
- Cut-Out Dimension: 275D x 500W mm

60cm 4-Zone Induction Hob



HC-R604

Art. No. 538.06.141

MYR 4,299.00

- 60cm 4 Zone:
  - Front Left Zone: 150 mm - 1.5 kW
  - Front Right Zone: 190 mm - 2.0 kW
  - Rear Left Zone: 190 mm - 2.0 kW
  - Rear Right Zone: 150 mm - 1.5 kW
- 9 Power Levels
- Heat Residual Indicator
- Auto Safety Cut Off
- Child Lock
- Dimension of Product: 590W x 520D x 68H mm
- Cut-Out Dimension: 570W x 492D mm

60cm 4-Zone Induction Hob/ Black Series



HC-I1604B



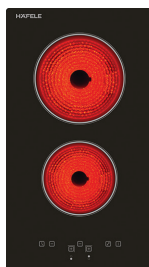
Art. No. 535.02.201

MYR 5,424.00

- 4 Induction Cooking Zones:
  - 220 x 190 mm - 2.2/3.5 kW (Booster)
- Slider Sensor Control Panel, 9 Power Levels
- Heat Residual Indicator
- Child Lock
- Auto Safety Cut Off
- Overflow Safety Device System
- Dimension of Product: 590W x 520D x 55H mm
- Cut-Out Dimension: 570W x 500D x Min 50H mm

## ▶ RADIANT HOB

30cm Domino Radiant Hob



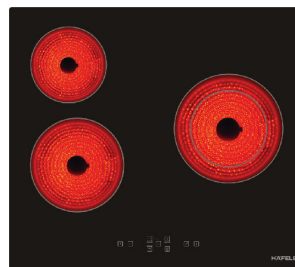
HC-R30A

Art. No. 538.06.120

MYR 1,599.00

- 30cm Domino Ceramic Hob
  - Rear zone : 200mm/1800W
  - Front Zone : 165mm/1200W
- Auto Safety Cut Off
- Touch Control Panel
- Heat Residual Indicator
- Child Lock Function
- 9 Power Levels
- Dimension of Product: 290W x 520D x 50H mm
- Cut-Out Dimension: 275W x 500D mm

60cm 3-Zone Radiant Hob



HC-R603A

Art. No. 538.06.121

MYR 2,799.00

- 60cm 3 Zone Ceramic Hob
  - Front Zone: 200 mm - 1.8 kW
  - Rear Zone: 165 mm - 1.2 kW
  - Rear Right Zone: 230 mm - 1.0/2.1 kW
- 9 Power Levels
- Child Lock
- Heat Residual Indicator
- Auto Safety Switch Off Function
- Dimension of Product: 590W x 520D mm
- Cut-Out Dimension: 570W x 500D mm

70cm 2-Zone Radiant Hob



HC-R70A

Art. No. 538.06.175

MYR 2,299.00

- 70cm 2 Zone Ceramic Hob:
  - Left Zone: 230 mm - 1.15/2.3 kW
  - Right Zone: 200 mm - 1.8 kW
- 5 Power Levels
- Child Lock
- Heat Residual Indicator
- Auto Safety Switch Off Function
- Dimension of Product: 710W x 400D mm
- Cut-Out Dimension: 685W x 375D mm

## ▶ GAS HOB

30cm Domino Gas Single Hob



**HC-GD30A**

**Art. No. 538.01.800**

MYR 799.00

- Build In Or Free Standing
- Sabaf Burner Made In Italy
- Single Gas Burner: 5 kW
- Flame Failure Safety Device
- Cast Iron Pan Support
- Build In Auto Ignition
- Dimension of Product: 300W x 520D mm
- Cut-Out Dimension: 265W x 475D mm

80cm 2-Burner Bevelled Edge Gas Hob



**HC-GH80A2**

**Art. No. 538.01.826**

MYR 1,299.00

- Build In Or Free Standing
- Sabaf Burner Made In Italy
- 2 Gas Burner: Left & Right 5 kW
- Flame Failure Safety Device
- Cast Iron Pan Support
- Build In Auto Ignition
- Dimension of Product: 800W x 460D mm
- Cut-Out Dimension: 685W x 405D mm

86cm 3-Burner Bevelled Edge Gas Hob



**HC-GH80A3**

**Art. No. 538.01.837**

MYR 1,399.00

- Build In Or Free Standing
- Sabaf Burner Made In Italy
- 3 Gas Burner:
  - Left & Right 5 kW
  - Middle 2.0 kW
- Flame Failure Safety Device
- Cast Iron Pan Support
- Build In Auto Ignition
- Dimension of Product: 860W x 460D mm
- Cut-Out Dimension: 685W x 405D mm

76cm 2-Burner 6kW Gas Hob



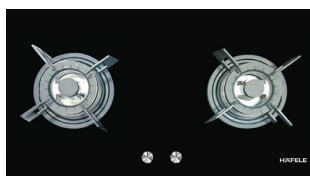
**HC-HZOQ97B3**

**Art. No. 495.06.051**

MYR 2,999.00

- 6kW Fire Power
- Tempered Glass
- LED Timer Function
- Automatic Ignition
- Fully 100% Brass Burner
- Safety Flame Failure Device
- Dimension of Product: 760W x 450D x 150H mm
- Cut-Out Dimension: 700W x 400D mm

80cm 2-Burner Gas Hob



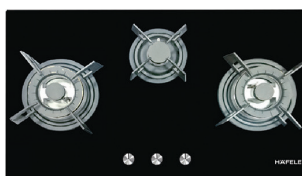
**HC-G802A**

**Art. No. 533.02.807**

MYR 1,029.00

- 2 Gas Burner:
  - Left & Right 4.5 kW
- Automatic Ignition
- Burner Made In Europe
- Safety Flame Failure Device
- Dimension of Product: 800W x 460D x 68H mm
- Cut-Out Dimension: 732W x 421D x 62H mm

86cm 3-Burner Gas Hob



**HC-G863A**

**Art. No. 533.02.829**

MYR 1,330.00

- 3 Gas Burner:
  - Left 4.5 kW
  - Middle 2.0 kW
  - Right 4.5 kW
- Automatic Ignition
- Burner Made In Europe
- Safety Flame Failure Device
- Dimension of Product: 800W x 460D x 68H mm
- Cut-Out Dimension: 732W x 421D x 62H mm

## ▶ BUILT-IN ELECTRIC COOKER

Build-In Deep Fryer



**HC-FRY30**

**Art. No. 495.06.201**

MYR 3,199.00

- Material: Stainless Steel
- Front Control Knob (Adjustable 50-200°C)
- Capacity of Oil/Fat: 4 L
- Removable Tank
- Light indicator (Fryer's Light And Oil Temperature Light)
- Over Heat Temperature Protection
- Electrical Connection Rating: 2,300 W



Build-In Barbeque Grill



**HC-BQ30**

**Art. No. 495.06.200**

MYR 2,699.00

- Material: Stainless Steel
- Semi-Flat Design
- Front Control Knob
- 12 Power Levels
- Power On Light Indicator
- Removable Enamelled Griddle Lava Stone, To Absorb Drippings Of Oil And Fat
- Electrical Connection Rating: 2,400 W



## ► KITCHEN HOOD

90cm Designer  
Black Series Hood



MADE IN  
EUROPE

**HH-WVG90A**

**Art. No. 535.82.203**

MYR 5,592.00

- Max. Suction Power: 1100 m<sup>3</sup>/h
- Material: Black Tempered Glass Panel
- Lighting: LED 1 x 6.4W
- Noise Level: 55 - 70 dB
- Installation: Ventilation / Recycle
- 4 Speeds
- Electronic Touch Control
- Build In Aluminium Grease Filter
- Dimension of Product: 900W x 455D x 1080-1435H mm

90cm Downdraft Hood



MADE IN  
EUROPE

**HH-TVG90A**

**Art. No. 539.81.065**

MYR 11,999.00

- Max. Suction Power: 1100 m<sup>3</sup>/h
- Installation: Ventilation / Recycle
- 3 Speeds + Intensive Setting
- Electronic Touch Control
- Material: Stainless Steel And Black Tempered Glass Panel
- Lighting: LED 2 x 2.5 W
- Noise Level: 48 - 68 dB
- Dimension of Product: 875W x 120D x 742-1042H mm

90cm Slim Hood



NEW!

**HH-S90**

**Art. No. 538.86.103**

MYR 1,299.00

- Max. Suction Power: 700m<sup>3</sup>/h
- Material: Black Tempered Glass Panel
- Lighting: LED 1 x 2W
- 3 Speeds
- Touch Control Panel
- Installation: Ventilation / Recycle
- Noise Level: 55 - 70 dB
- Dimension of Product: 895W x 480D x 100H mm

90cm Designer  
Black Glass Hood



**HH-D90B1**

**Art. No. 538.86.253**

MYR 2,399.00

- Max. Suction Power: 1400 m<sup>3</sup>/h
- 3 Speeds
- Material: Black Tempered Glass Panel
- Filter Type: 1pc Mesh Metal Filter
- Lighting: LED 2 x 1.5W
- Oil Collector
- Touch Control Panel
- Installation: Ventilation / Recycle
- Noise Level: 55 - 70 dB
- Dimension of Product: 895W x 475D x 424-1154H mm

## ▶ KITCHEN HOOD

60cm Telescopic Hood



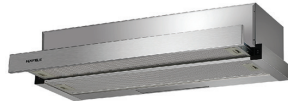
### HH-T60A

Art. No. 538.86.031

MYR 999.00

- 60cm Telescopic Hood
- Max. Suction Power: 700 m<sup>3</sup>/h
- 2 Pcs of 5 Layer Aluminium Filter
- Installation: Ventilation / Recycle
- 2 Speeds
- Noise Level: Below 50 dB
- Dimension of Product: 595L x 296-300W x 225H mm

90cm Telescopic Hood



### HH-T90A

Art. No. 538.86.033

MYR 1,199.00

- 90cm Telescopic Hood
- Max. Suction Power: 700 m<sup>3</sup>/h
- 2 Pcs of 5 Layer Aluminium Filter
- Installation: Ventilation / Recycle
- 2 Speeds
- Noise Level: Below 50 dB
- Dimension of Product: 895L x 296-300W x 225H mm

90cm T Shape Hood



### HH-D90B2

Art. No. 538.86.263

MYR 1,999.00

- Max. Suction Power: 1400 m<sup>3</sup>/h
- 3 Speeds
- 3pcs Baffle Filter
- Touch Control Panel
- Oil Collector
- Lighting: LED 2 x 1.5W
- Installation: Ventilation / Recycle
- Noise Level: Below 55 - 70 dB
- Dimension of Product: 895W x 500D x 520-970H mm

90cm Auto-Opening Hood



### HH-D90A

Art. No. 538.82.373

MYR 3,299.00

- Max. Suction Power: 1680 m<sup>3</sup>/h
- Dual Impellers
- Filter Free Hood
- Oil Collector
- Auto Opening Hood
- Touch Control Panel
- Noise Level: 55 - 70 dB
- 3 Speeds
- Installation: Ventilation
- Dimension of Product: 895W x 450D x 840H mm

90cm T-Shape Hood



### HH-D90B

Art. No. 538.82.383

MYR 2,399.00

- Max. Suction Power: 1580 m<sup>3</sup>/h
- Dual Impellers
- Filter Free Hood
- Oil Collector
- 2 Speeds
- Touch Control Panel
- Noise Level: 55 - 70 dB
- Installation: Ventilation
- Dimension of Product: 895W x 450D x 560H mm



## ▶ KITCHEN HOOD

### 90cm Auto-Opening Hood



#### HH-J15A

Art. No. 538.82.213

MYR 3,399.00

- Max. Suction Power: 1350 m<sup>3</sup>/h
- Fashion Orange O-Touch Control
- Filter Free Hood
- Oil Collector
- Material: Black Tempered Glass Panel
- Lighting: LED 1 x 3W
- Noise Level: 55 - 70 dB
- Automatic Opening Smoke Panel
- Installation: Ventilation
- Dimension of Product:  
900W x 416D x 810H mm

### 90cm T-Shape Hood



#### HH-H902D

Art. No. 495.38.242

MYR 3,299.00

- Max. Suction Power: 1500 m<sup>3</sup>/h
- 25 Speeds
- Touch Control Panel with Digital Display
- Stainless Steel Mesh Filter
- Oil Collector
- Lighting: LED 1 x 3W
- Material: Black Tempered Glass Panel
- Timer Function (30 minutes)
- Noise Level: 55 - 70 dB
- Installation: Ventilation
- Dimension of Product:  
895W x 520D x 685H mm

### 90cm T-Shape Hood



#### HH-AWG90

Art. No. 495.38.240

MYR 2,899.00

- Max. Suction Power: 1400 m<sup>3</sup>/h
- 3 Speeds
- Material: Stainless Steel With Glass
- Touch Control Panel with Digital Display
- Baffle Filter 3 pcs
- Lighting: LED 2 x 2.5W
- Stainless Steel Oil Collector
- Installation: Ventilation / Recycle
- Dimension of Product:  
900W x 500D x 1230H mm



#### HH-AWS90

Art. No. 495.38.239

MYR 2,999.00

- Max. Suction Power: 1400 m<sup>3</sup>/h
- 3 Speeds
- Material: Stainless Steel With Glass
- Touch Control Panel with Digital Display
- Baffle Filter 3pcs
- Oil Collector
- Lighting: LED 2 x 2.5W
- Installation: Ventilation / Recycle
- Dimension of Product:  
900W x 500D x 820H mm

## ▶ LAUNDRY

### 8kg/6kg Combi Washer Dryer



#### HWD-C07A

Art. No. 538.91.040

MYR 5,899.00

- Washing Capacity 8 kg
- Drying Capacity 6 kg
- Max. Spin Speed 1400 rpm
- Energy Efficiency Class A
- Brushless DC Electric Motor
- 180° Door Opening Angle
- Child Lock Function
- 16 Programs
- Dimension of Product:  
595W x 470D x 850H mm

### 7kg Dryer



#### HD-S03A

Art. No. 538.91.020

MYR 2,399.00

- Drying Capacity 7 kg
- Sensor Dry
- Electronic Control Type
- Energy Efficiency Class B
- Child Lock Function
- 4 Fabric Care Cycles
- 180° Door Opening Angle
- Dimension of Product:  
595W x 550D x 840H mm



# WARRANTY OVERVIEW

**5**  
YEARS

## TESTED QUALITY AND CAREFREE WARRANTY

At Häfele, all kitchen sinks and taps are tested and approved for the targeted market's quality standards. They also come with exceptional resistance to impacts and stains.



## ▶ GRANITE SINK

### Double-Bowl with Drainer



**Carbon**  
HS-G11650-C

Art. No. 565.83.341

MYR 2,060.00

- Bowl Depth: 205 mm
- Thickness: 1.2 mm
- Overall Dimension: 1160L x 500W mm
- Bowl Dimension: 340L x 420W mm
- Cut-Out Dimension: 1140L x 480W mm
- Packing: Full Set with Odour Trap



**Snow**  
HS-G11650-S

Art. No. 565.83.741

MYR 2,060.00

- Bowl Depth: 205 mm
- Thickness: 1.2 mm
- Overall Dimension: 1160L x 500W mm
- Bowl Dimension: 340L x 420W mm
- Cut-Out Dimension: 1140L x 480W mm
- Packing: Full Set with Odour Trap



**Mocha**  
HS-G11650-M

Art. No. 565.83.241

MYR 2,060.00

- Bowl Depth: 205 mm
- Thickness: 1.2 mm
- Overall Dimension: 1160L x 500W mm
- Bowl Dimension: 340L x 420W mm
- Cut-Out Dimension: 1140L x 480W mm
- Packing: Full Set with Odour Trap

### Double-Bowl without Drainer



**Carbon**  
HS-G8650-C

Art. No. 565.83.351

MYR 1,731.00

- Bowl Depth: 205 mm
- Thickness: 1.2 mm
- Overall Dimension: 860L x 500W mm
- Bowl Dimension: 450L x 420W mm/  
300L x 360W mm
- Cut-Out Dimension: 840L x 480W mm
- Packing: Full Set with Odour Trap

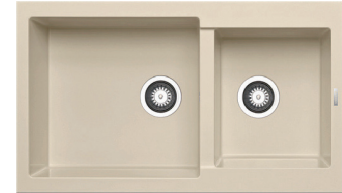


**Snow**  
HS-G8650-S

Art. No. 565.83.751

MYR 1,731.00

- Bowl Depth: 205 mm
- Thickness: 1.2 mm
- Overall Dimension: 860L x 500W mm
- Bowl Dimension: 450L x 420W mm/  
300L x 360W mm
- Cut-Out Dimension: 840L x 480W mm
- Packing: Full Set with Odour Trap



**Mocha**  
HS-G8650-M

Art. No. 565.83.251

MYR 1,731.00

- Bowl Depth: 205 mm
- Thickness: 1.2 mm
- Overall Dimension: 860L x 500W mm
- Bowl Dimension: 450L x 420W mm/  
300L x 360W mm
- Cut-Out Dimension: 840L x 480W mm
- Packing: Full Set with Odour Trap

### 60cm Single-Bowl



**Carbon**  
HS-G4650

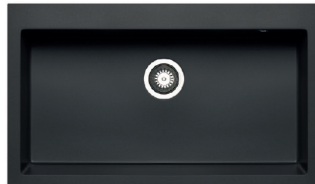
Art. No. 565.84.391

MYR 1,588.00

- Bowl Depth: 205 mm
- Thickness: 1.2 mm
- Overall Dimension: 564L x 494W mm
- Cut-Out Dimension: 550L x 480W mm
- Packing: 1 Set with Odour Trap



### 90cm Single-Bowl



**Carbon**  
HS-G7650

Art. No. 565.84.341

MYR 1,766.00

- Bowl Depth: 205 mm
- Thickness: 1.2 mm
- Overall Dimension: 860L x 500W mm
- Cut-Out Dimension: 840L x 480W mm
- Packing: 1 Set with Odour Trap



## ▶ GRANITE SINK

86cm Double-Bowl



NEW!

Viola N-200

Art. No. 570.35.380

MYR 2,199.00



- Bowl Depth: 205 mm
- Thickness: 1.2 mm
- Overall Dimension: 860L x 500W mm
- Bowl Dimension: 373L x 421W mm
- Cut-out Dimension: 840L x 480W mm (Top Mount), 845L x 485W mm (Under Mount)
- Packing: Full Set with Odour Trap

1140cm Double-Bowl



NEW!

Prepstation D-150

Art. No. 570.35.340

MYR 6,599.00



- Bowl Depth: 140 / 230 mm
- Thickness: 1.2 mm
- Overall Dimension: 1140L x 460W mm
- Bowl Dimension: 509L x 400W mm
- Cut-out Dimension: 1120L x 440W mm (Top Mount), 1080L x 400W mm (Under Mount)
- Packing: Full Set with Siphon & Accessories (Wooden Chopping, Steel Colander, Steel Basket, Steel Tray)

55cm Single-Bowl



NEW!

Quaro N-100

Art. No. 570.35.330

MYR 1,999.00



- Bowl Depth: 200 mm
- Thickness: 1.2 mm
- Overall Dimension: 550L x 430W mm
- Cut-out Dimension: 530L x 410W mm (Top Mount), 490L x 370W mm (Under Mount)
- Packing: Full Set with Odour Trap

## ▶ STAINLESS STEEL SINK

60cm Top Mount Single-Bowl



HS-S5447

Art. No. 567.40.090

MYR 1,005.00

- Installation: Top Mount
- Overall Dimension: 540L x 510W mm
- Bowl Dimension: 480L x 410W mm
- Thickness: 1.2 mm
- Packing: 1 Set of Odour Trap

90cm Top Mount Single-Bowl



HS-S8251

Art. No. 567.40.080

MYR 1,801.00

- Installation: Top Mount
- Overall Dimension: 820L x 510W mm
- Bowl Dimension: 760L x 410W mm
- Thickness: 1.2 mm
- Packing: 1 Set of Odour Trap

90cm Top Mount Double-Bowl



HS-S8657

Art. No. 567.40.050

MYR 2,132.00

- Installation: Top Mount
- Overall Dimension: 860L x 510W mm
- Bowl Dimension: 430L x 410W mm / 340L x 410W mm
- Thickness: 1.2 mm
- Packing: 1 Set of Odour Trap

60cm Undermount Single-Bowl



HS-S4444

Art. No. 567.20.230

MYR 855.00

- Installation: Under Mount
- Overall Dimension: 440L x 440W mm
- Bowl Dimension: 400L x 400W mm
- Thickness: 1.2 mm
- Packing: 1 Set of Odour Trap

90cm Undermount Single-Bowl



HS-S8247

Art. No. 567.43.080

MYR 1,891.00

- Installation: Under Mount
- Overall Dimension: 820L x 510W mm
- Bowl Dimension: 760L x 410W mm
- Thickness: 1.2 mm
- Packing: 1 Set of Odour Trap

90cm Undermount Double-Bowl



HS-S8647

Art. No. 567.43.050

MYR 2,132.00

- Installation: Under Mount
- Overall Dimension: 860L x 470W mm
- Bowl Dimension: 430L x 410W mm / 340L x 410W mm
- Thickness: 1.2 mm
- Packing: 1 Set of Odour Trap

## ▶ GRANITE KITCHEN MIXER FAUCET

Extendable Kitchen Mixer



**Mocha**  
HF-G401  
Art. No. 569.15.401

MYR 1,825.00

- Material: Granite & Chrome Surface
- Cold & Hot Water Mixer
- Extendable Spray Head
- Packing: Full Set



**Iron Grey**  
HF-G1501  
Art. No. 569.15.501

MYR 1,825.00

- Material: Granite & Chrome Surface
- Cold & Hot Water Mixer
- Extendable Spray Head
- Packing: Full Set



**Carbon**  
HF-GC301  
Art. No. 569.15.301

MYR 1,825.00

- Material: Granite & Chrome Surface
- Cold & Hot Water Mixer
- Extendable Spray Head
- Packing: Full Set



**Mocha**  
HF-G411  
Art. No. 569.15.411

MYR 1,840.00

- Material: Granite & Chrome Surface
- Cold & Hot Water Mixer
- Extendable Spray Head
- Packing: Full Set



**Iron Grey**  
HF-G1511  
Art. No. 569.15.511

MYR 1,840.00

- Material: Granite & Chrome Surface
- Cold & Hot Water Mixer
- Extendable Spray Head
- Packing: Full Set



**Carbon**  
HF-GC311  
Art. No. 569.15.311

MYR 1,840.00

- Material: Granite & Chrome Surface
- Cold & Hot Water Mixer
- Extendable Spray Head
- Packing: Full Set

## ▶ KITCHEN MIXER FAUCET

Professional Kitchen Mixer

Kitchen Mixer



**HF-H1**  
Art. No. 495.50.002

MYR 1,599.00

- Material: Brass
- Finish: Chrome Polished
- Cold & Hot Water Mixer
- Water Outflow Can Be Switched Between Spout And Spray
- Spout Can Be Swivel For 360°
- Flow Limiter: 6 liters/ minute
- Extendable Spray Head
- Packing: Full Set



**HF-3510C**  
Art. No. 570.50.280

MYR 399.00

- Material: Brass
- Finish: Chrome Polished
- Pull-Out Faucet With Sedal Cartridge
- Special Decorative Cup
- Special Cartridge Lock Nut
- Hualing 40cm Stainless Steel Flexible Hose
- Neoperl Aerator
- Zinc Body
- ABS Hand Shower



## ▶ KITCHEN MIXER FAUCET

Extendable Kitchen Mixer



**Chrome**  
**HF-C201L**  
**Art. No. 569.15.201**  
 MYR 1,680.00

- Material: Chrome Surface
- Cold & Hot Water Mixer
- Extendable Spray Head
- Packing: Full Set



**Chrome**  
**HF-C211L**  
**Art. No. 569.15.211**  
 MYR 1,680.00

- Material: Chrome Surface
- Cold & Hot Water Mixer
- Extendable Spray Head
- Packing: Full Set

### Kitchen Mixer



**HF-3473512C**  
**Art. No. 570.50.290**  
 MYR 429.00

- Material: Brass
- Finish: Chrome Polished
- Pull-Out Faucet With Sedal Cartridge
- Neoperl Aerator
- Zinc Body
- Brass Hand Shower



**HF-3473514C**  
**Art. No. 570.51.010**  
 MYR 599.00

- Material: Brass
- Finish: Chrome Polished
- Pull-Out Faucet With Sedal Cartridge
- Neoperl Aerator
- Zinc Body
- Brass Hand Shower



**HF-3773516C**  
**Art. No. 570.51.020**  
 MYR 799.00

- Material: Brass
- Finish: Chrome Polished
- Pull Out Faucet With Sedal Cartridge
- Neoperl Aerator
- Zinc Body
- Brass Hand Shower



**HF-3673518C**  
**Art. No. 570.51.040**  
 MYR 599.00

- Material: Brass
- Finish: Chrome Polished
- Pull-Out Faucet With Sedal Cartridge
- Neoperl Aerator
- Zinc Body
- Brass Hand Shower

## ▶ KITCHEN COLD TAP

Kitchen Cold Tap/ Deck Mounted



**HF-JL311**  
**Art. No. 570.52.211**  
 MYR 139.00

- Material: Brass
- Finish: Chrome Polished
- Thumb-Turn Zinc Handle



**HF-JL302**  
**Art. No. 570.52.221**  
 MYR 129.00

Kitchen Cold Tap/ Wall Mounted



**HF-JL321**  
**Art. No. 570.52.231**  
 MYR 129.00

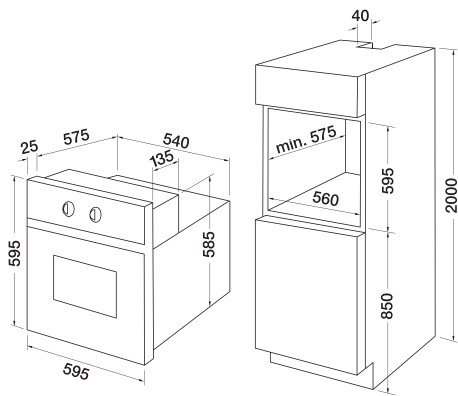
- Material: Brass
- Finish: Chrome Polished
- Thumb-Turn Zinc Handle



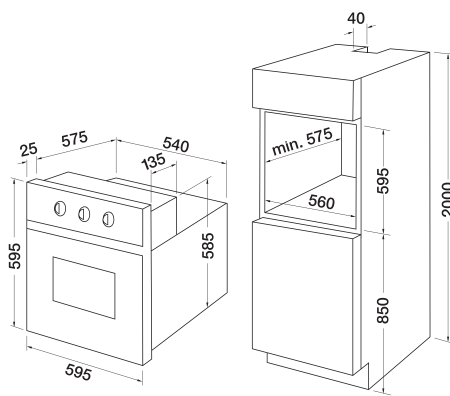
**HF-JL331**  
**Art. No. 570.52.241**  
 MYR 139.00

# PRODUCT DIMENSION

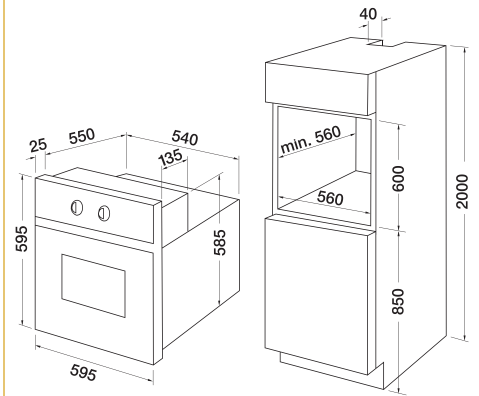
OVEN | Art. No. 535.02.711 | P 2



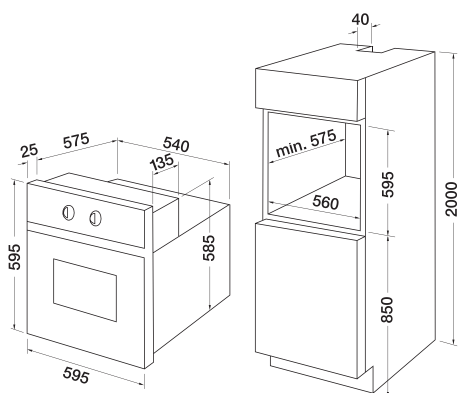
OVEN | Art. No. 534.05.581 | P 2



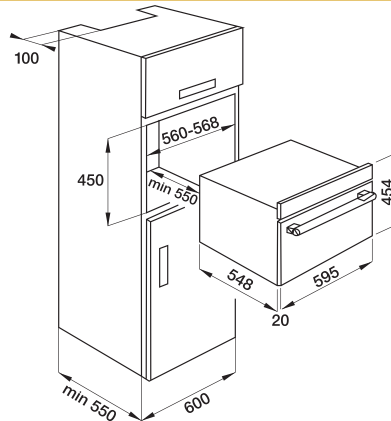
OVEN | Art. No. 534.05.571 | P 2



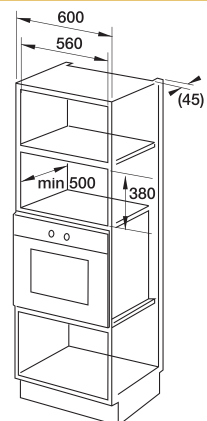
OVEN | Art. No. 535.00.340 | P 2



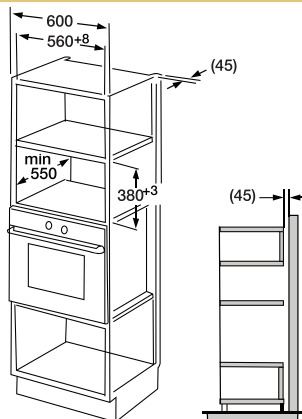
MICROWAVE | Art. No. 535.02.731 | P 3



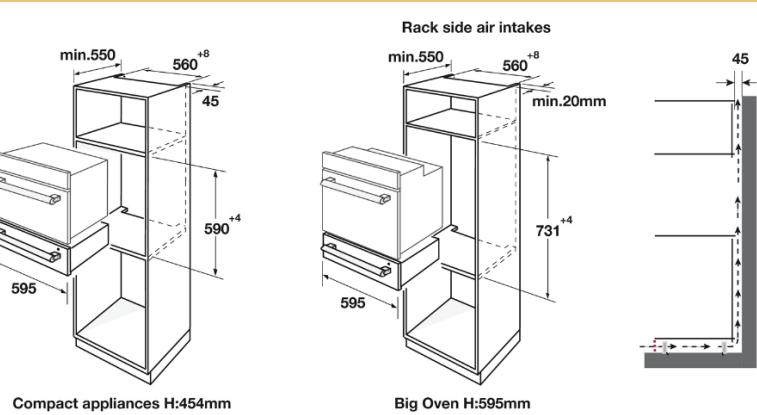
MICROWAVE | Art. No. 535.34.000 | P 3



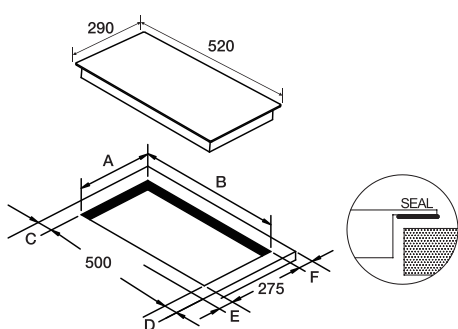
MICROWAVE | Art. No. 538.01.111 | P 3



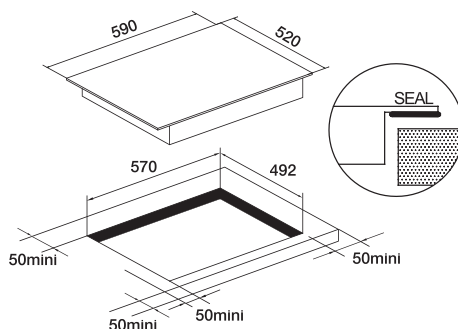
WARMING DRAWER | Art. No. 538.51.820 / 821 | P 3



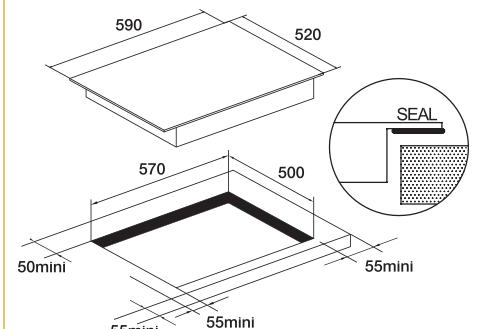
HOB | Art. No. 538.06.130 | P 4



HOB | Art. No. 538.06.141 | P 4

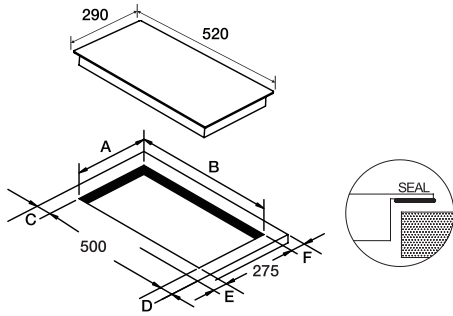


HOB | Art. No. 535.02.201 | P 4

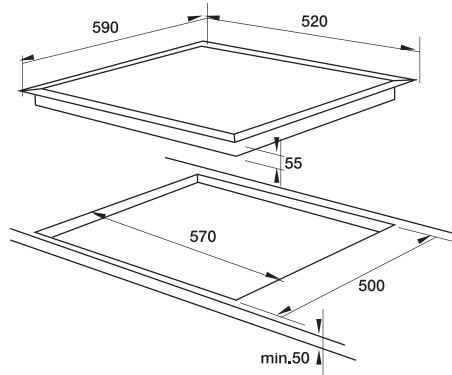


# PRODUCT DIMENSION

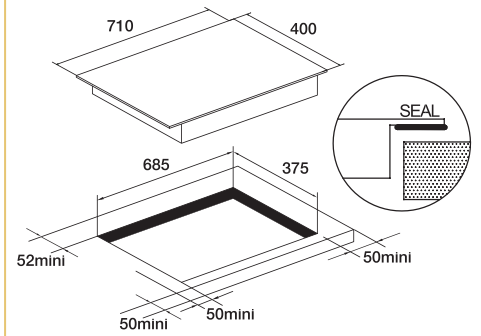
HOB | Art. No. 538.06.120 | P 4



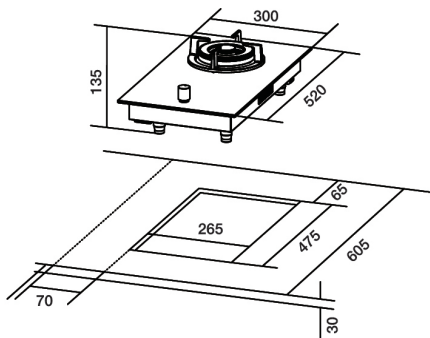
HOB | Art. No. 538.06.121 | P 4



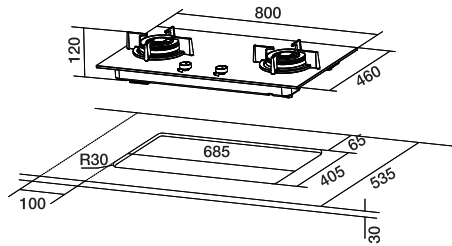
HOB | Art. No. 538.06.175 | P 4



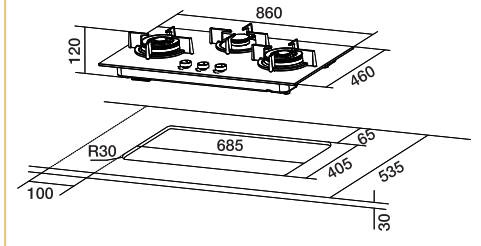
HOB | Art. No. 538.01.800 | P 5



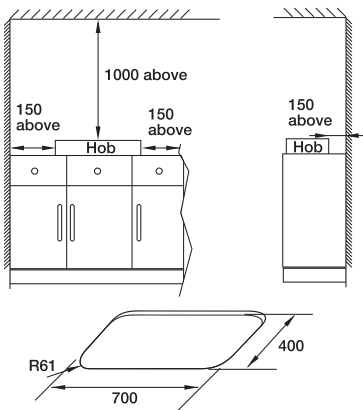
HOB | Art. No. 538.01.826 | P 5



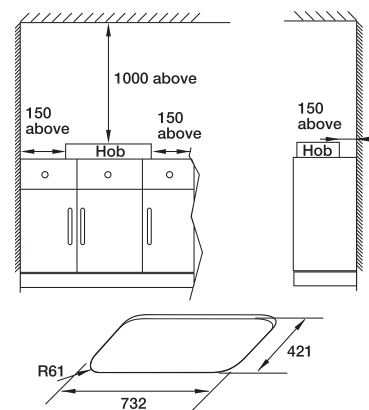
HOB | Art. No. 538.01.837 | P 5



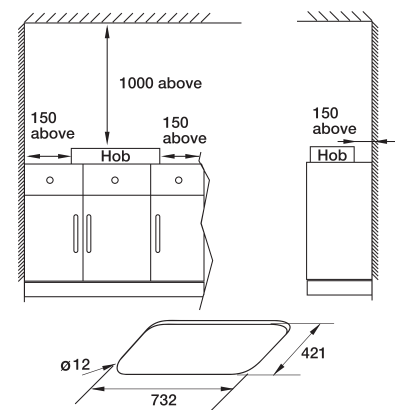
HOB | Art. No. 495.06.051 | P 5



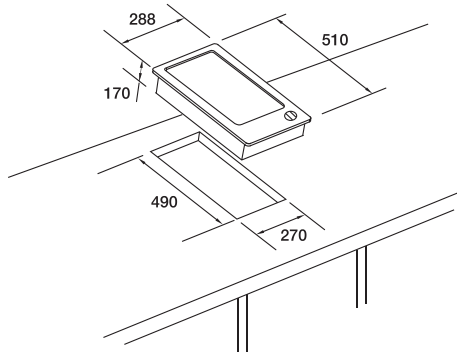
HOB | Art. No. 533.02.807 | P 5



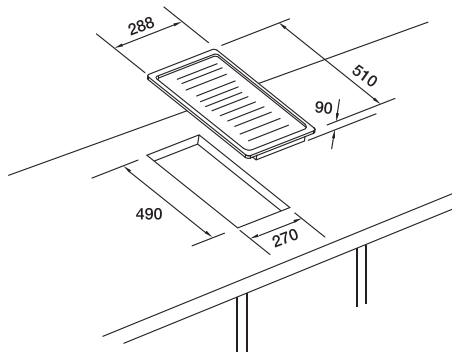
HOB | Art. No. 533.02.829 | P 5



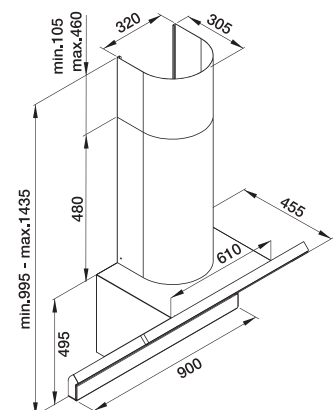
DEEP FRYER | Art. No. 495.06.201 | P 5



BARBEQUE GRILL | Art. No. 495.06.200 | P 5

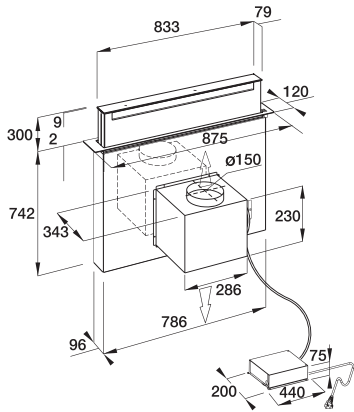


HOOD | Art. No. 535.82.203 | P 6

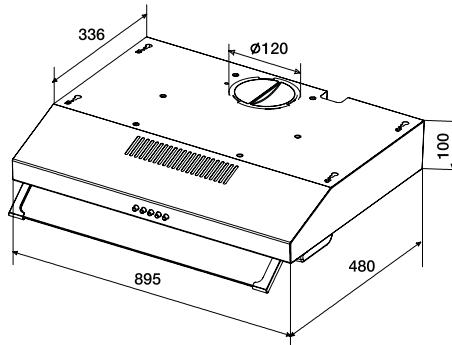


# PRODUCT DIMENSION

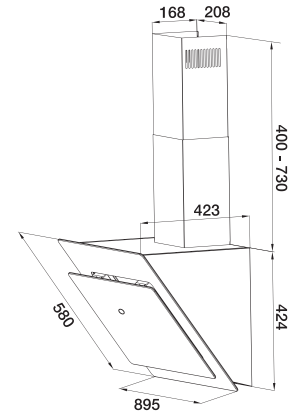
HOOD | Art. No. 539.81.065 | P 6



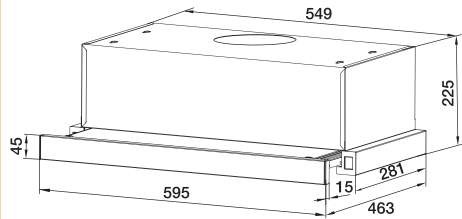
HOOD | Art. No. 538.86.103 | P 6



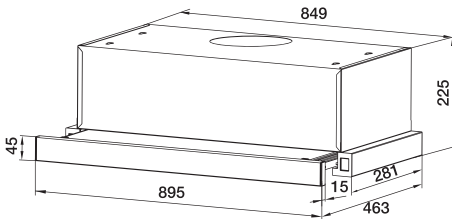
HOOD | Art. No. 538.86.253 | P 6



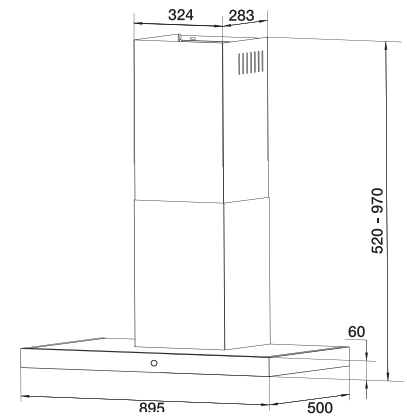
HOOD | Art. No. 538.86.031 | P 7



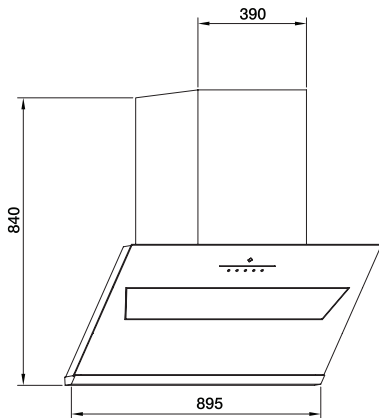
HOOD | Art. No. 538.86.033 | P 7



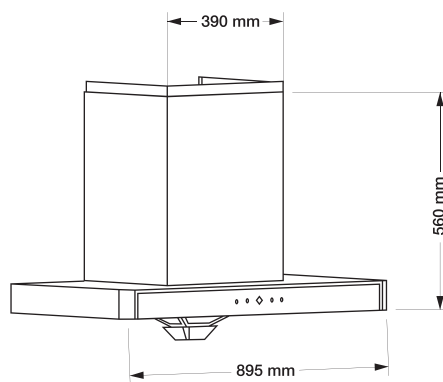
HOOD | Art. No. 538.86.263 | P 7



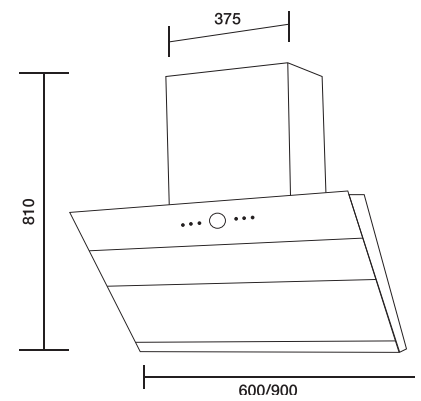
HOOD | Art. No. 538.82.373 | P 7



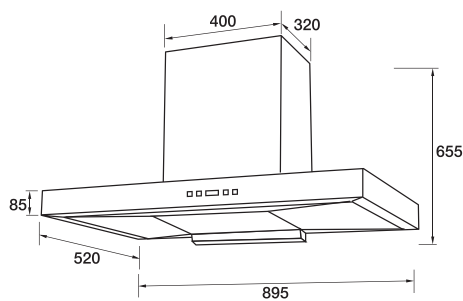
HOOD | Art. No. 538.82.383 | P 7



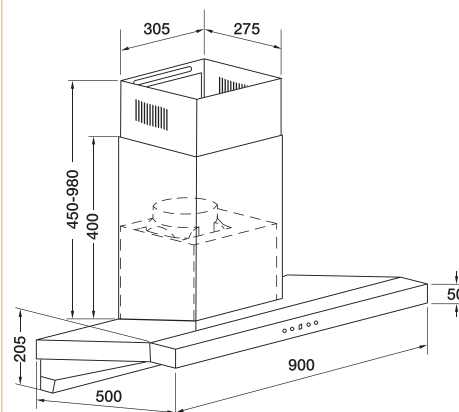
HOOD | Art. No. 538.82.213 | P 8



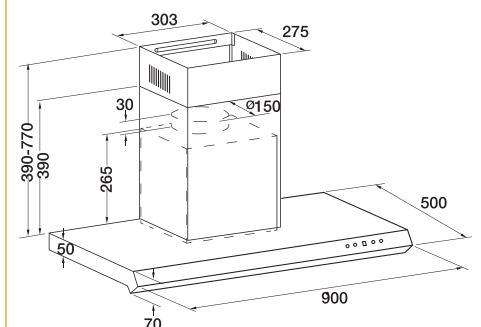
HOOD | Art. No. 495.38.242 | P 8



HOOD | Art. No. 495.38.240 | P 8



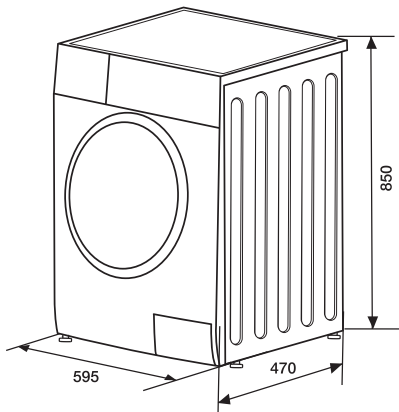
HOOD | Art. No. 495.38.239 | P 8



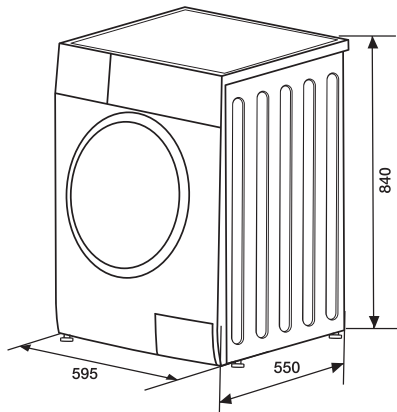


# PRODUCT DIMENSION

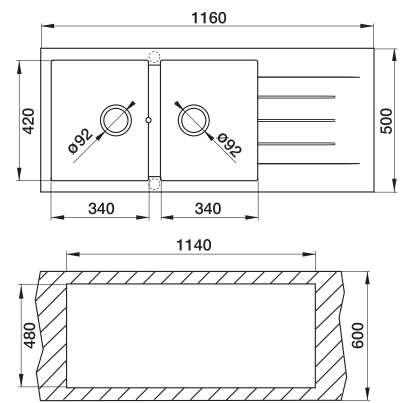
LAUNDRY | Art. No. 538.01.040 | P 8



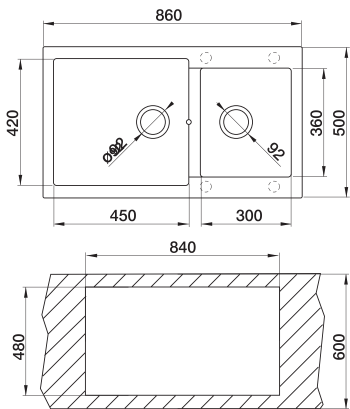
LAUNDRY | Art. No. 538.91.020 | P 8



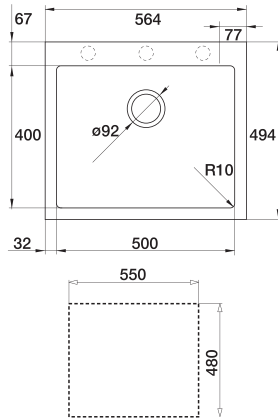
SINK | Art. No. 565.83.341/741/241 | P 10



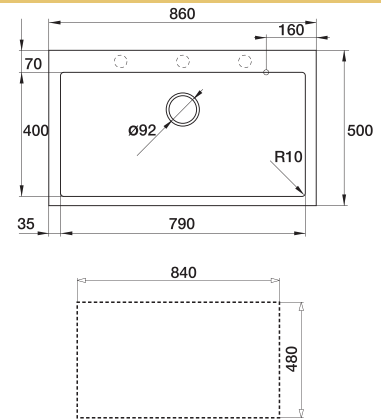
SINK | Art. No. 565.83.351/751/251 | P 10



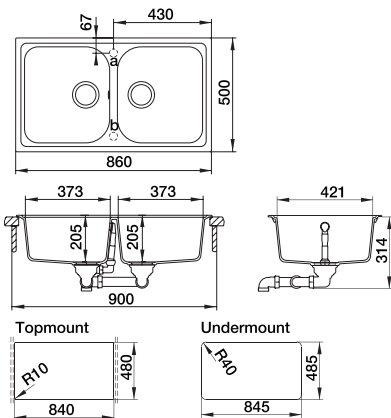
SINK | Art. No. 565.84.391 | P 10



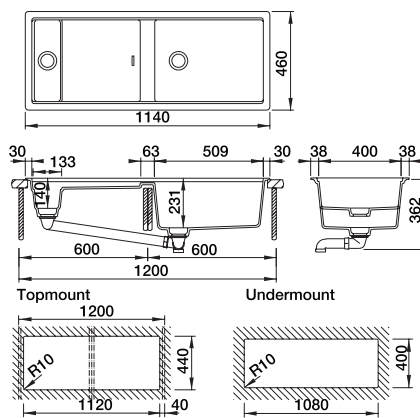
SINK | Art. No. 565.84.341 | P 10



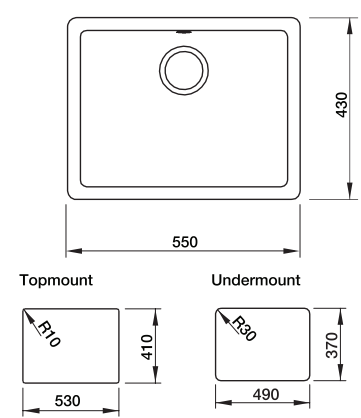
SINK | Art. No. 570.35.380 | P 11



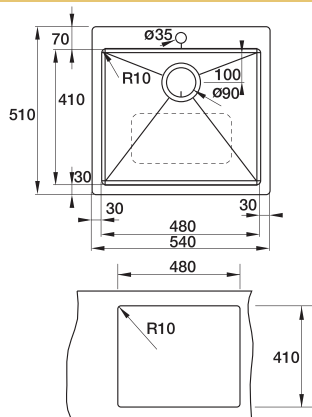
SINK | Art. No. 570.35.340 | P 11



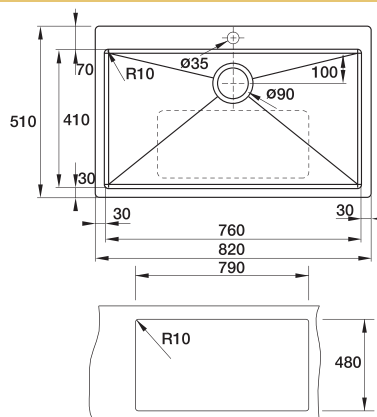
SINK | Art. No. 570.35.330 | P 11



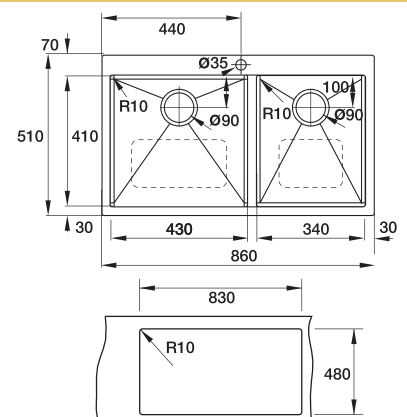
SINK | Art. No. 567.40.090 | P 11



SINK | Art. No. 567.40.080 | P 11

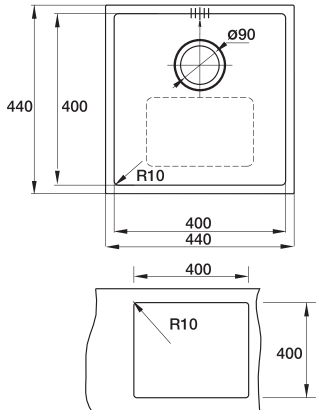


SINK | Art. No. 567.40.050 | P 11

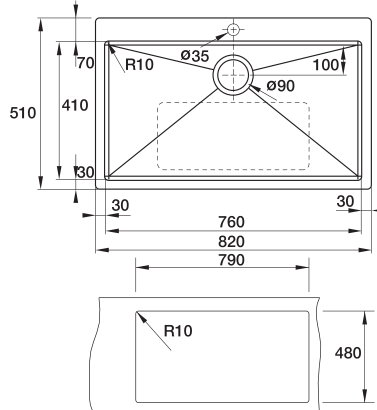


# PRODUCT DIMENSION

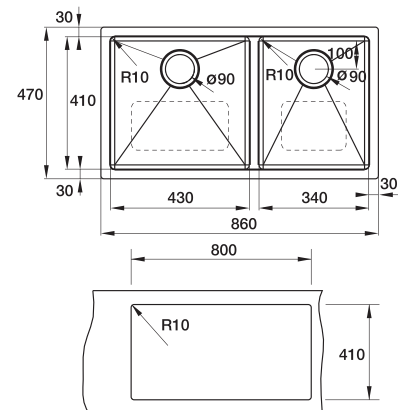
SINK | Art. No. 567.20.230 | P 11



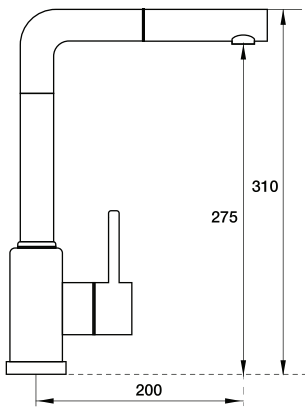
SINK | Art. No. 567.43.080 | P 11



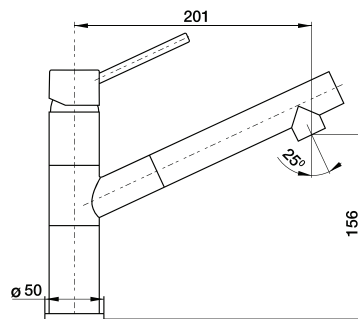
SINK | Art. No. 567.43.050 | P 11



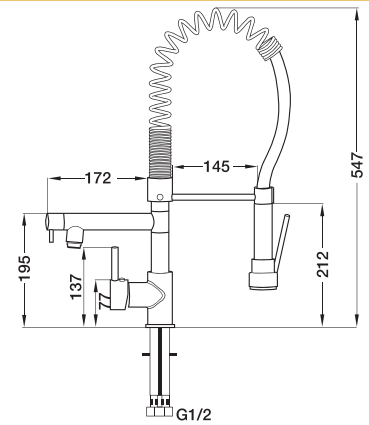
TAP | Art. No. 569.15.401/501/301 | P 12



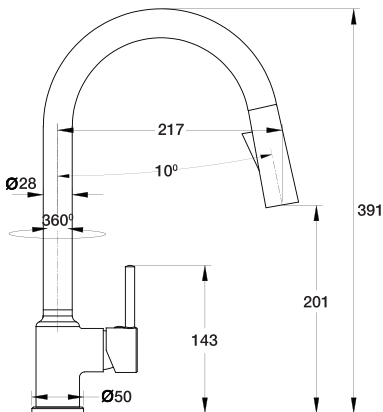
TAP | Art. No. 569.15.411/511/311 | P 12



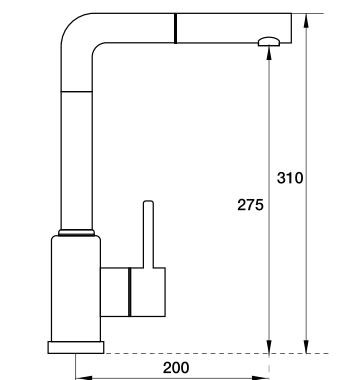
TAP | Art. No. 495.50.002 | P 12



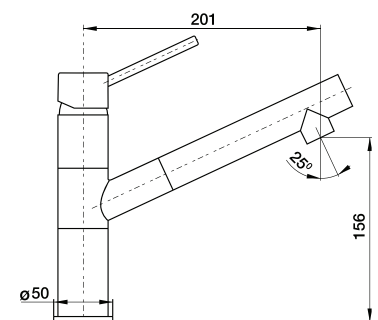
TAP | Art. No. 570.50.280 | P 12



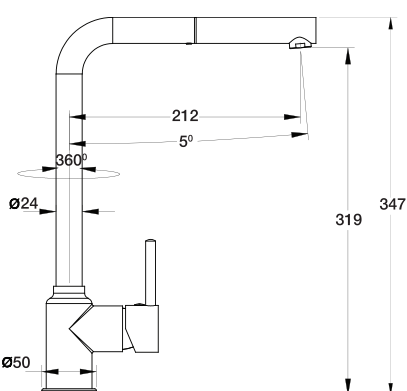
TAP | Art. No. 569.15.201 | P 13



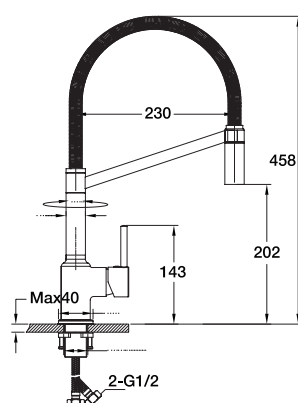
TAP | Art. No. 569.15.211 | P 13



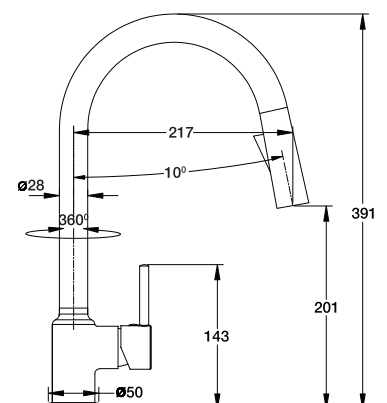
TAP | Art. No. 570.50.290 | P 13



TAP | Art. No. 570.51.010 | P 13

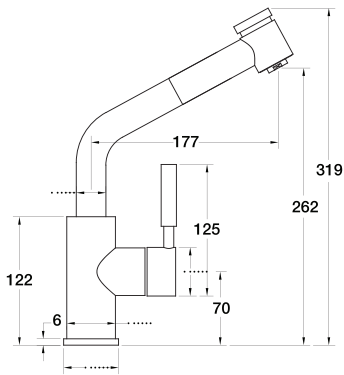


TAP | Art. No. 570.51.020 | P 13

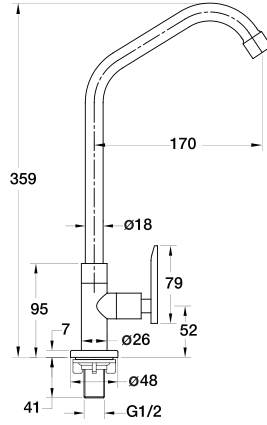


# PRODUCT DIMENSION

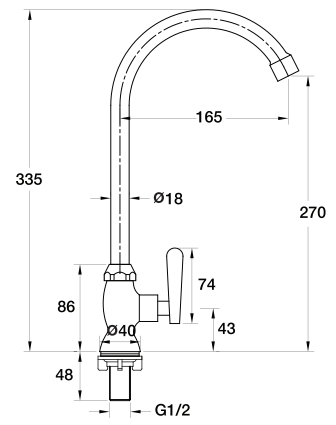
TAP | Art. No. 570.51.040 | P 13



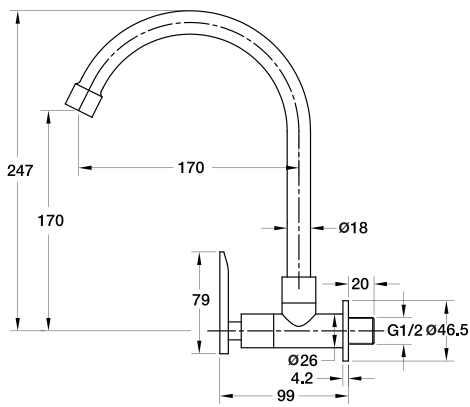
TAP | Art. No. 570.52.211 | P 13



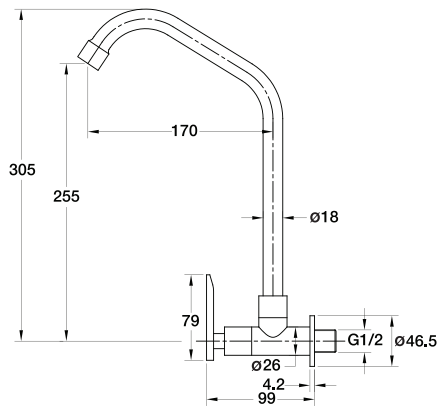
TAP | Art. No. 570.52.221 | P 13



TAP | Art. No. 570.52.231 | P 13



TAP | Art. No. 570.52.241 | P 13



# HÄFELE

## Häfele Malaysia Sdn Bhd

### KL Head Office

No. 18, Jalan Juruhebah U1/50 Seksyen U1, Temasya Industrial Park, 40150 Shah Alam, Selangor, Malaysia  
Phone: +603 5568 2526 | Fax: +603 5569 3526 | Email: [info@hafele.com.my](mailto:info@hafele.com.my)

### KL Design Centre

No. 42, Jalan SS21/1, Damansara Utama, 47400 Petaling Jaya, Selangor, Malaysia  
Phone: +603-7733 4526 / 7733 6526 | Fax: +603 7733 3526  
E-mail: [info@hafele.com.my](mailto:info@hafele.com.my)

### Sabah Office & Showroom

No. 4.2 & 4.3 Neutron Point, Lorong Point Neutron, Jalan Lintas Khidmat, 88300 Kota Kinabalu, Sabah, Malaysia  
Phone: +6088 380 533 | Fax: +6088 386 533 | Email: [hafelesabah@hafele.com.my](mailto:hafelesabah@hafele.com.my)

[www.hafele.com.my](http://www.hafele.com.my)



Scan for full copy

732.04.011 - MAY 2019