



**Công ty TNHH Häfele Việt Nam**  
Lầu 3, Ree Tower, 9 Đoàn Văn Bơ,  
Phường 12, Quận 4, TP. Hồ Chí Minh  
Tel: +84 8 39 113 113 - Fax: +84 8 39 113 114  
[www.hafele.com.vn](http://www.hafele.com.vn)

## INSTRUCTION ON MOUNTING AND USE

| Model     | Häfele article number |
|-----------|-----------------------|
| HH-TVG90A | 539.81.065            |

**Häfele Design Center**  
46A Nguyễn Văn Trỗi  
Quận Phú Nhuận  
TP. Hồ Chí Minh  
Tel: +84 8 399 77 300  
Fax: +84 8 399 77 301  
Email: [info@hafele.com.vn](mailto:info@hafele.com.vn)

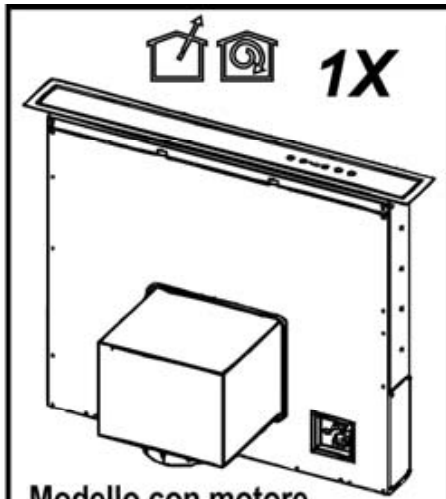
**Häfele Home Showroom**  
The Crescent, CR2-07  
107 Tôn Dật Tiên, Quận 7  
TP. Hồ Chí Minh  
Tel: +84 8 5413 6653  
Fax: +84 8 5413 6654  
Email: [info@hafele.com.vn](mailto:info@hafele.com.vn)

**Häfele Ha Noi  
Design Center & Office**  
128 Thụy Khuê, P. Thụy Khuê  
Quận Tây Hồ, Hà Nội  
Tel: +84 4 38 500 400  
Fax: +84 4 38 500 401  
Email: [hanoi@hafele.com.vn](mailto:hanoi@hafele.com.vn)

**Häfele Da Nang  
Design Center & Office**  
248 Nguyễn Văn Linh  
Quận Thanh Khê, TP. Đà Nẵng  
Tel: +84 511 3584 966  
Fax: +84 511 3584 977  
Email: [danang.sales@hafele.com.vn](mailto:danang.sales@hafele.com.vn)

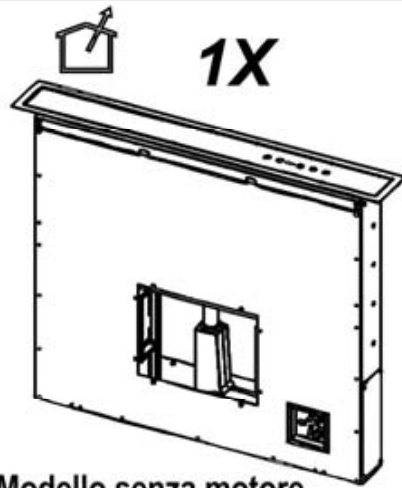
**Häfele Nha Trang Office**  
133 Thái Nguyên  
Phường Phước Tân  
TP. Nha Trang  
Tel: +84 58 3560 988  
Fax: +84 58 3560 989  
Email: [nhatrang@hafele.com.vn](mailto:nhatrang@hafele.com.vn)

**Häfele Can Tho Office**  
Lầu 7 Tòa nhà STS  
11B Hòa Bình  
Quận Ninh Kiều, TP. Cần Thơ  
Tel: +84 710 3819 210  
Fax: +84 710 3819 320  
Email: [cantho@hafele.com.vn](mailto:cantho@hafele.com.vn)



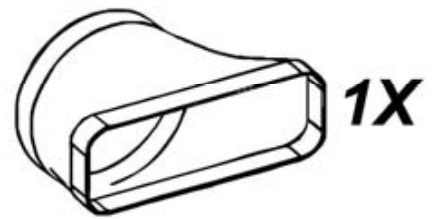
**1X**

Modello con motore  
 Model with motor  
 Ausführung mit Motor  
 Modèle avec moteur  
 Modelo con motor  
 Model met motor  
 Модель с двигателем  
 Model z silnikiem  
 Μοντέλο με μηχανή  
 Modelo com motor  
 Model med motor

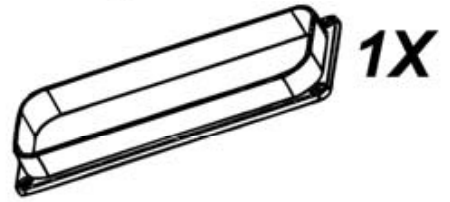


**1X**

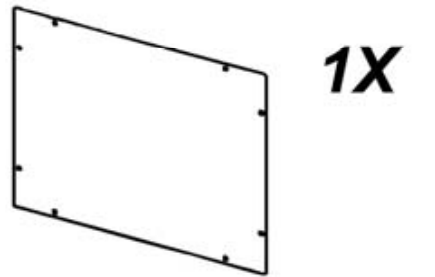
Modello senza motore  
 Model without motor  
 Ausführung ohne Motor  
 Modèle sans moteur  
 Modelo sin motor  
 Model zonder motor  
 Модель без двигателя  
 Model bez silnika  
 Μοντέλο χωρίς μηχανή  
 Modelo sem motor  
 Model uden motor



**1X**

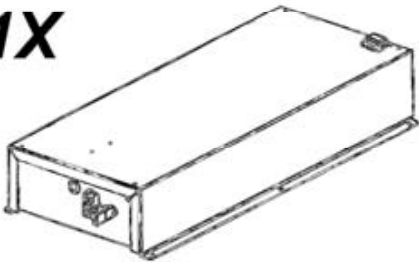


**1X**

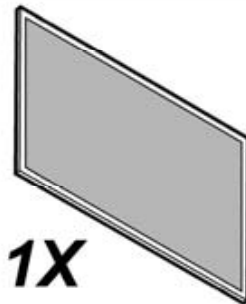


**1X**

**1X**

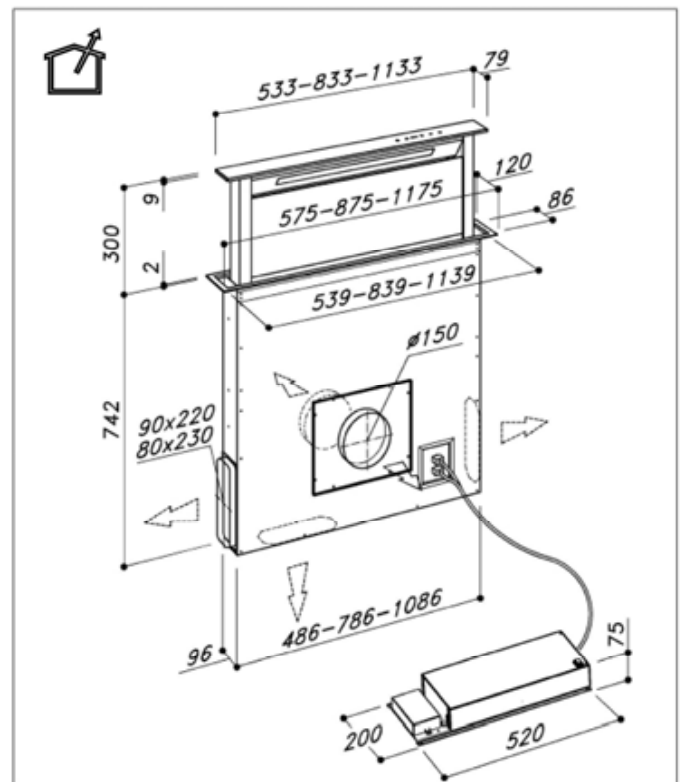
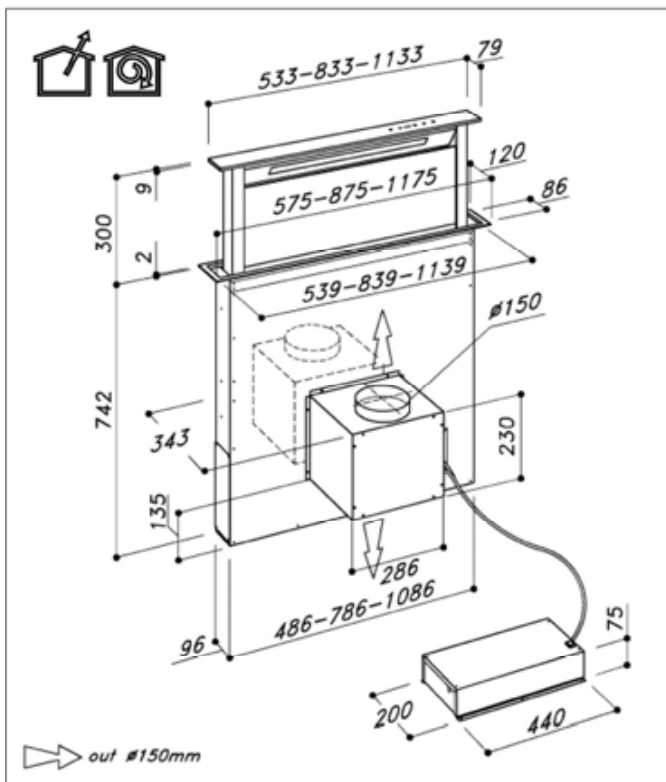


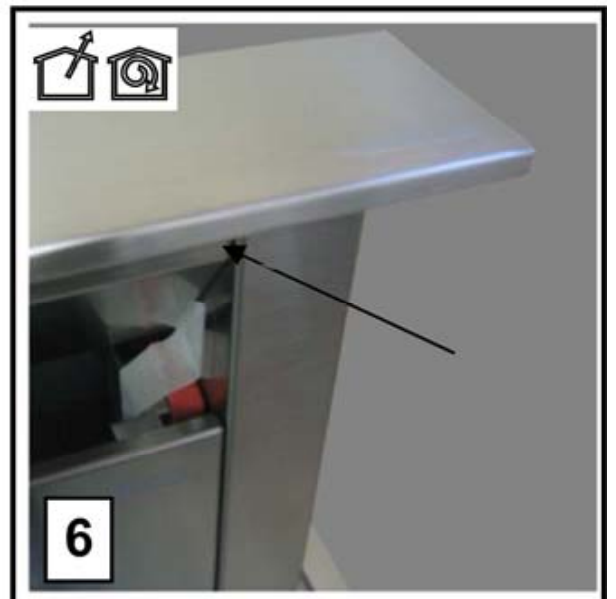
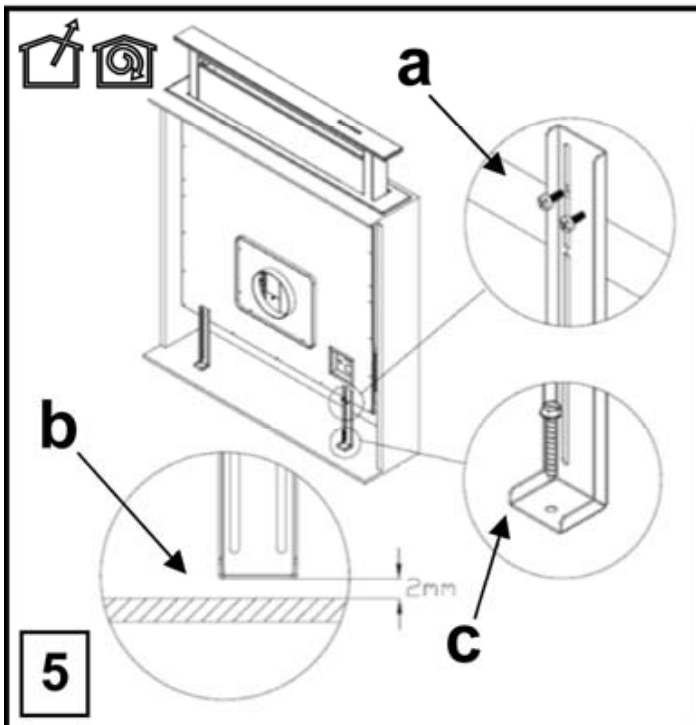
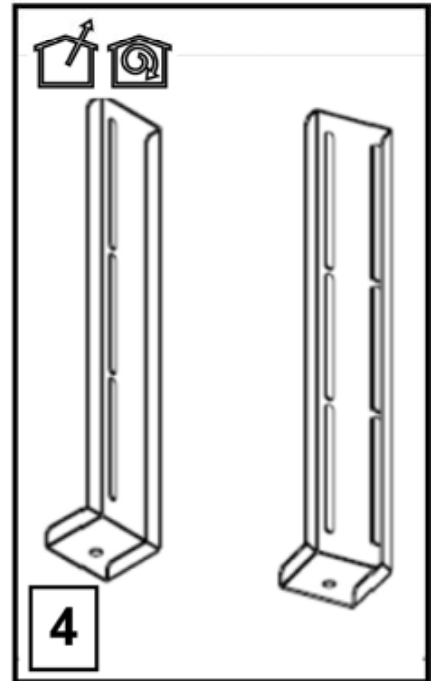
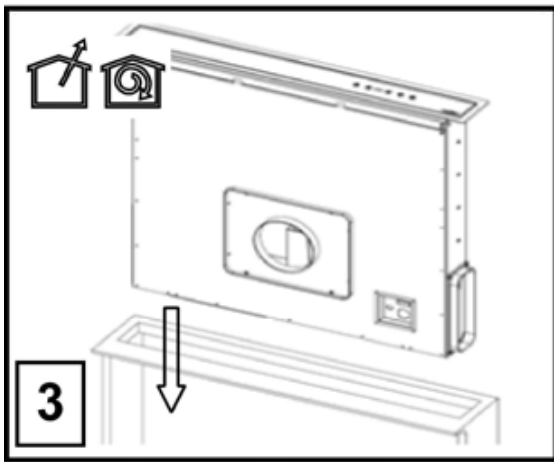
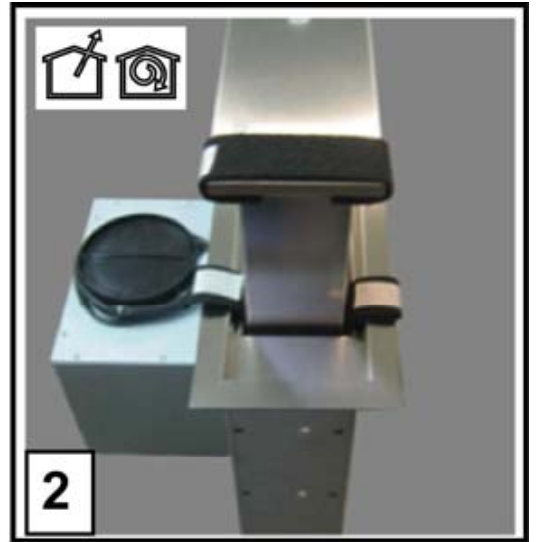
**2X**

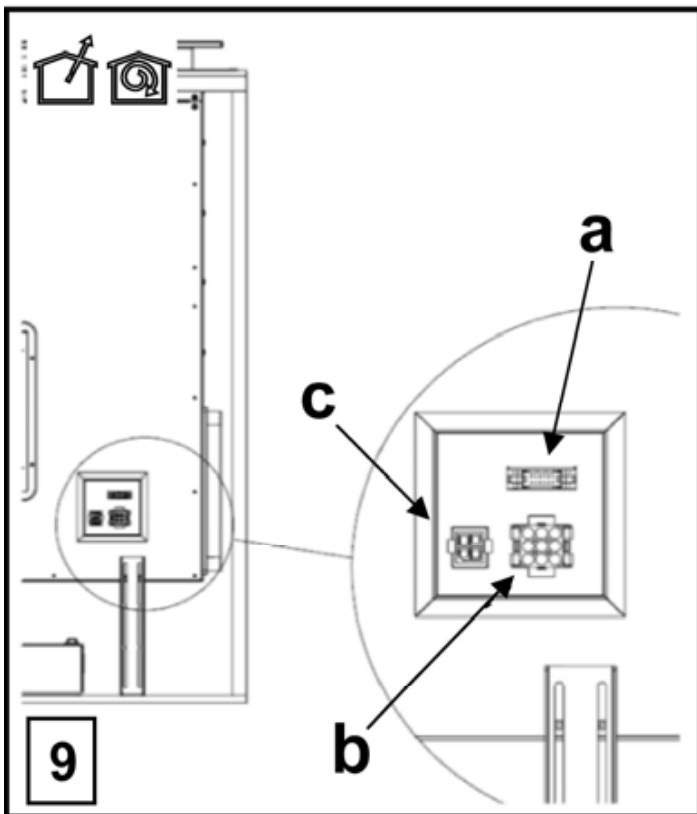
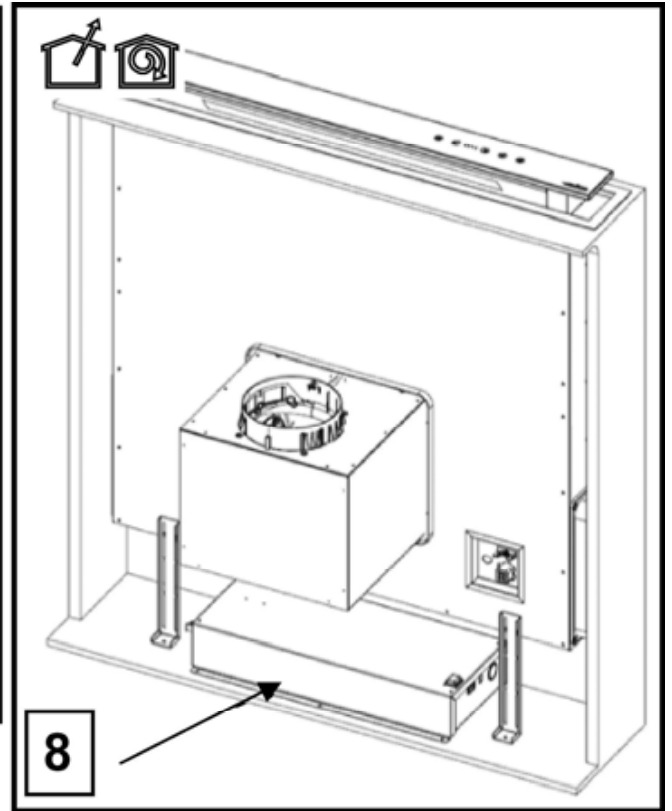
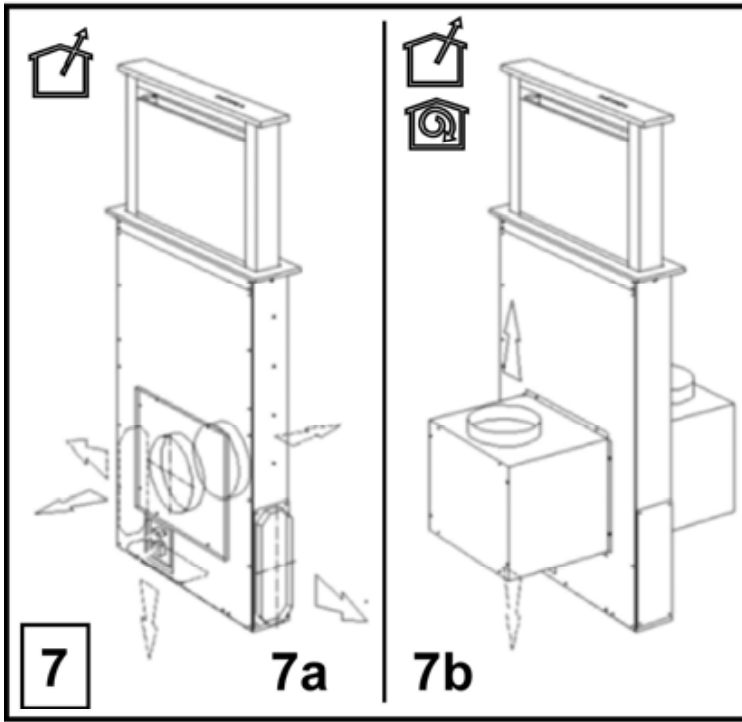


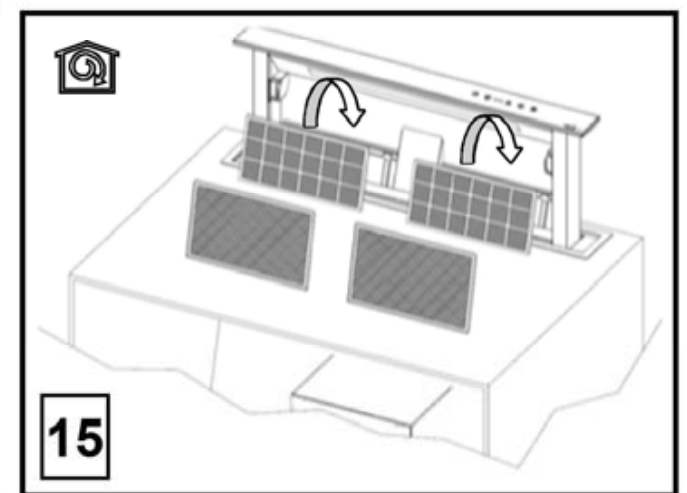
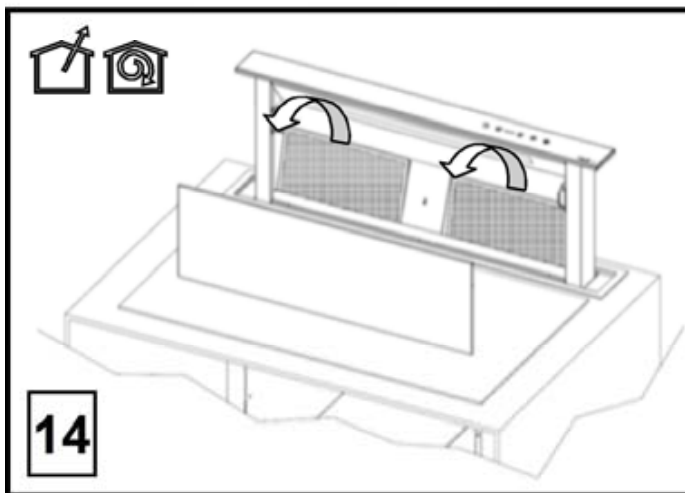
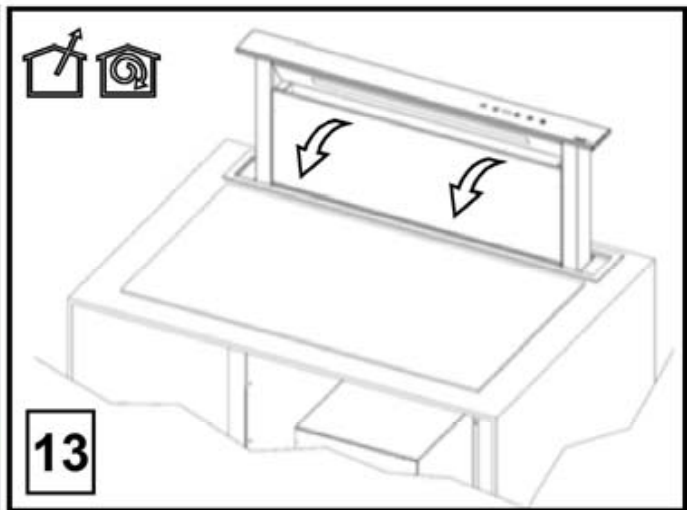
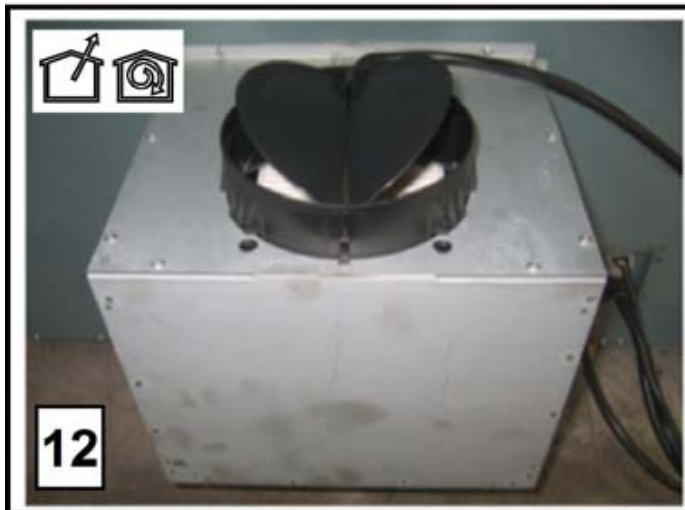
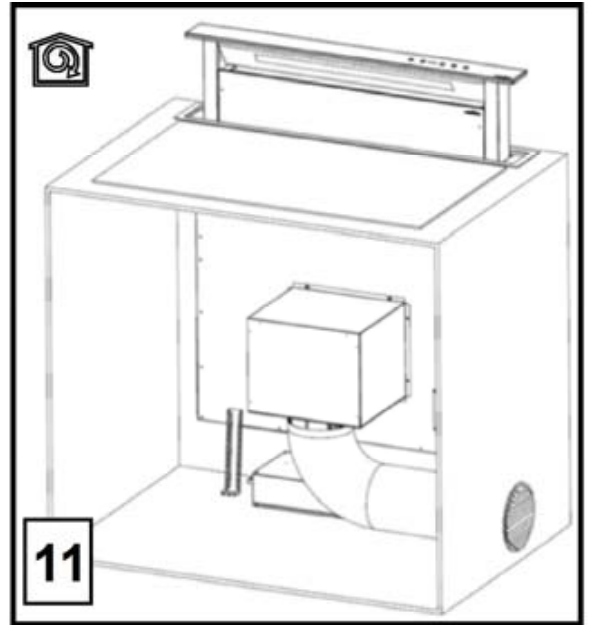
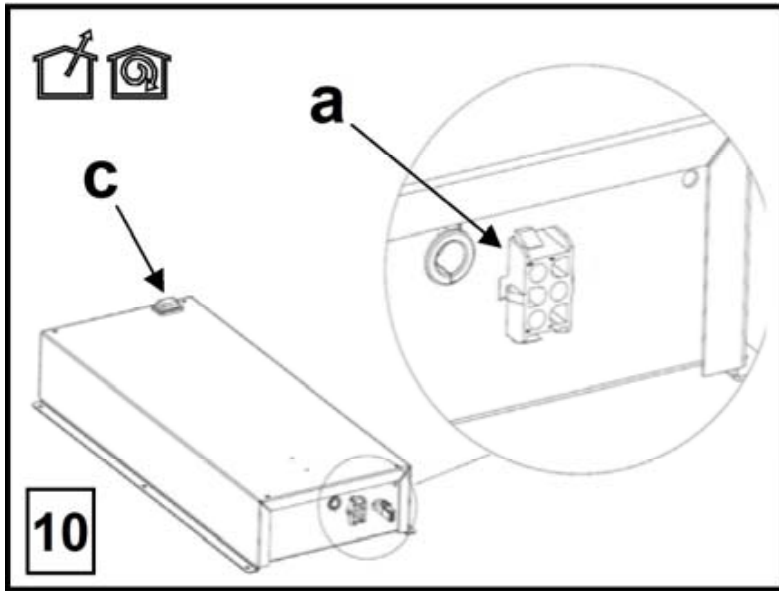
**1X**

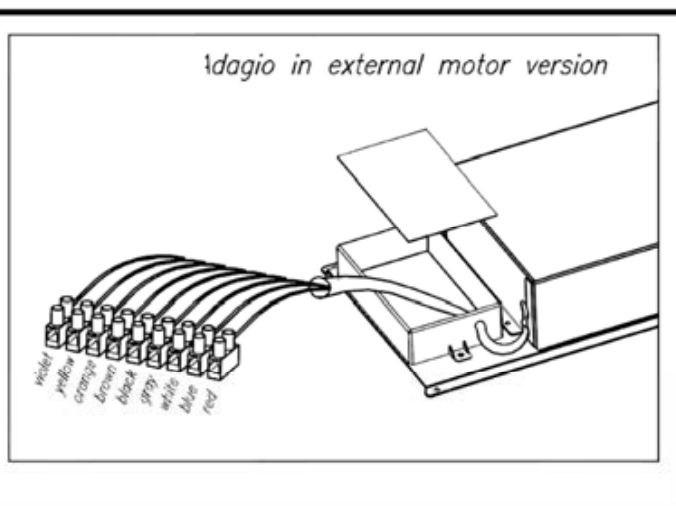
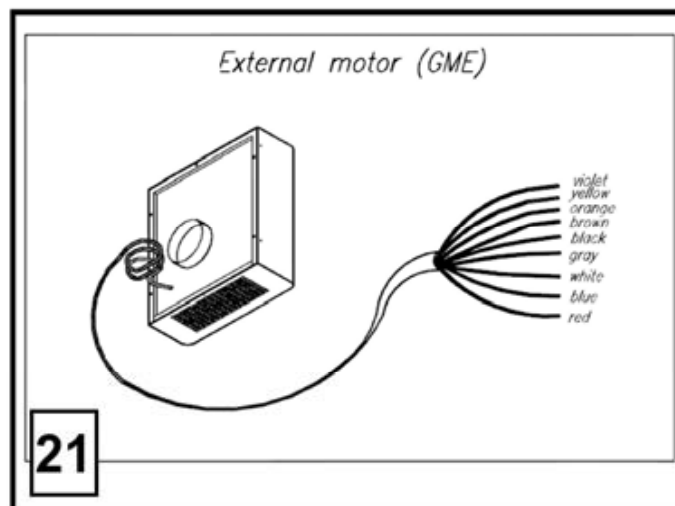
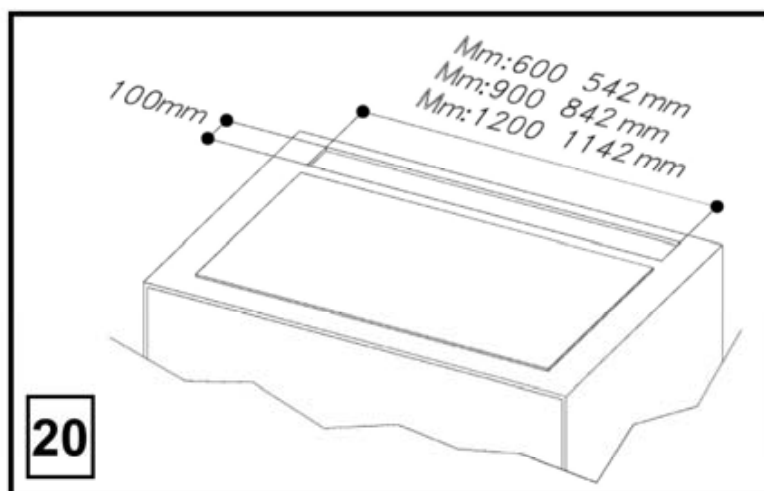
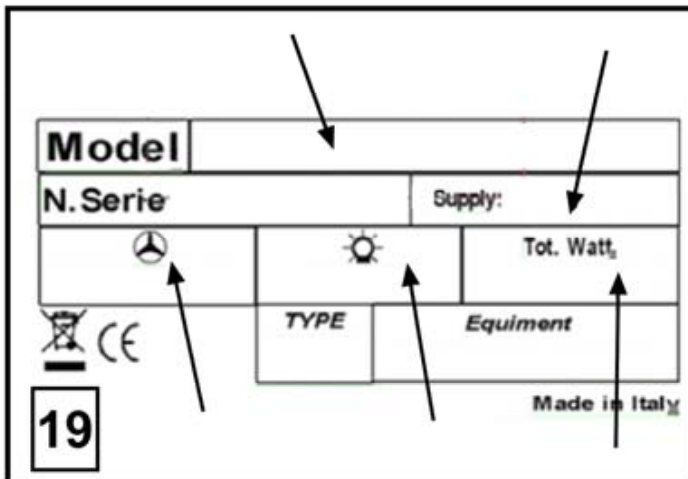
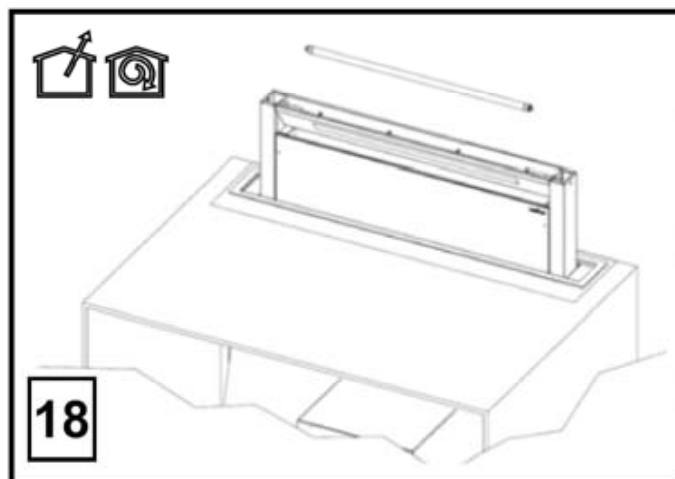
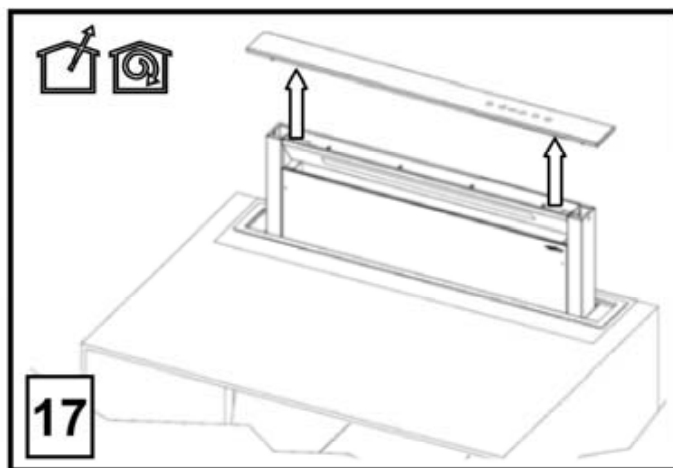
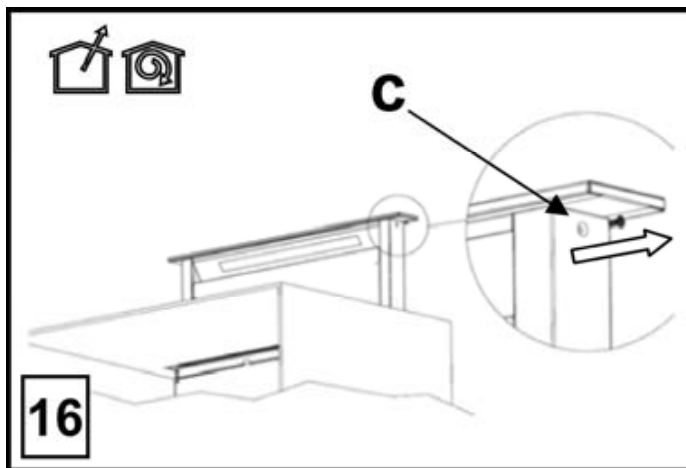
**2X**  
 Ø 3.5x9.5  
**4X**  
 Ø M4x10  
**2X**











**Closely follow the instructions set out in this manual.** All responsibility, for any eventual inconveniences, damages or fires caused by not complying with the instructions in this manual, is declined. This appliance is intended to be used in household and similar application such as: - staff kitchen areas in shop, offices and other working environments; - farm houses; - by clients in hotels, motels and other residential type environments; - bed and breakfast type environments.

**The hood can look different to that illustrated in the drawings in this booklet. The instructions for use, maintenance and installation, however, remain the same.**

- ! It is important to conserve this booklet for consultation at any moment. In the case of sale, cession or move, make sure it is together with the product.
- ! Read the instructions carefully: there is important information about installation, use and safety.
- ! Do not carry out electrical or mechanical variations on the product or on the discharge conduits.
- ! Before proceeding with the installation of the appliance verify that there are no damaged all components. Otherwise contact your dealer and do not proceed with the installation.

**Note:** the elements marked with the symbol “(\*)” are optional accessories supplied only with some models or elements to purchase, not supplied.

### **Caution**

Before any cleaning or maintenance operation, disconnect hood from the mains by removing the plug or disconnecting the mains electrical supply. Always wear work gloves for all installation and maintenance operations.

This appliance can be used by children aged from 8 years and above and persons with reduced physical, sensory or mental capabilities or lack of experience and knowledge if they have been given supervision or instruction concerning use of the appliance in a safe way and understand the hazards involved.

Children shall not be allowed to tamper with the controls or play with the appliance.

Cleaning and user maintenance shall not be made by children without supervision.

The premises where the appliance is installed must be sufficiently ventilated, when the kitchen hood is used together with other gas combustion devices or other fuels.

The hood must be regularly cleaned on both the inside and outside (AT LEAST ONCE A MONTH).

This must be completed in accordance with the maintenance instructions provided. Failure to follow the instructions provided regarding the cleaning of the hood and filters will lead to the risk of fires.

**Do not flambé under the range hood.**

The use of exposed flames is detrimental to the filters and may cause a fire risk, and must therefore be avoided in all circumstances.

Any frying must be done with care in order to make sure that the oil does not overheat and ignite.

**CAUTION:** Accessible parts of the hood may become hot when used with cooking appliances.

For lamp replacement use only lamp type indicated in the Maintenance/Replacing lamps section of this manual.

**WARNING!** Do not connect the appliance to the mains until the installation is fully complete.

With regards to the technical and safety measures to be adopted for fume discharging it is important to closely follow the regulations provided by the local authorities.

The air must not be discharged into a flue that is used for exhausting fumes from appliance burning gas or other fuels.

Do not use or leave the hood without the lamp correctly mounted due to the possible risk of electric shocks.

Never use the hood without effectively mounted grids.

The hood must NEVER be used as a support surface unless specifically indicated.

Use only the fixing screws supplied with the product for installation or, if not supplied, purchase the correct screws type.

Use the correct length for the screws which are identified in the Installation Guide.

In case of doubt, consult an authorised service assistance centre or similar qualified person.



**WARNING!** Failure to install the screws or fixing device in accordance with these instructions may result in electrical hazards.

Do not use with a programmer, timer, separate remote control system or any other device that switches on automatically.


When handling the hood do not put hands within the range of action of the pull-out suction panel (trolley)

The hood is equipped with safety switches which inhibit operation when the front filter panel is unhooked.

With the intention of constantly improving our products, we reserve the right to make all the changes in their technical, functional or design characteristics, deriving from their evolution. In case of the version with external motor, the normal operation of the hood requires the use of a suction unit (external motor) of the same manufacturer.

This appliance is marked according to the European directive 2012/19/EC on Waste Electrical and Electronic Equipment (WEEE). By ensuring this product is disposed of correctly, you will help prevent potential negative consequences for the environment and human health, which could otherwise be caused by inappropriate waste handling of this product.



The symbol  on the product, or on the documents accompanying the product, indicates that this appliance may not be treated as household waste. Instead it should be taken to the appropriate collection point for the recycling of electrical and electronic equipment. Disposal must be carried out in accordance with local environmental regulations for waste disposal.

For further detailed information regarding the process, collection and recycling of this product, please contact the appropriate department of your local authorities or the local department for household waste or the shop where you purchased this product.

Appliance designed, tested and manufactured according to:

- Safety: EN/IEC 60335-1; EN/IEC 60335-2-31, EN/IEC 62233.
- Performance: EN/IEC 61591; ISO 5167-1; ISO 5167-3; ISO 5168; EN/IEC 60704-1; EN/IEC 60704-2-13; EN/IEC 60704-3; ISO 3741; EN 50564; IEC 62301.
- EMC: EN 55014-1; CISPR 14-1; EN 55014-2; CISPR 14-2; EN/IEC 61000-3-2; EN/IEC 61000-3-3. Suggestions for a correct use in order to reduce the environmental impact: Switch ON the hood at minimum speed when you start cooking and kept it running for few minutes after cooking is finished. Increase the speed only in case of large amount of smoke and vapour and use boost speed(s) only in extreme situations. Replace the charcoal filter(s) when necessary to maintain a good odour reduction efficiency. Clean the grease filter(s) when necessary to maintain a good grease filter efficiency. Use the maximum diameter of the ducting system indicated in this manual to optimize efficiency and minimize noise.

## Use

The hood is designed to be used either for exhausting or filter version.



### Ducting version

In this case the fumes are conveyed outside of the building by means of a special pipe connected with the connection ring located on top of the hood.

**Attention!** The exhausting pipe is not supplied and must be purchased apart.

Diameter of the exhausting pipe must be equal to that of the connection ring.

Attention! If the hood is supplied with active charcoal filter, then it must be removed.



### Filter version

The aspirated air will be degreased and deodorised before being fed back into the room.

In order to use the hood in this version, you have to install a system of additional filtering based on activated charcoal.

**Note:** The recycled air in the charcoal filter is sent back to the kitchen through a duct which conveys air on a side of the cabinet (**Picture 11**).

### Non-return valve locking

Attention, before connecting the flexible air outlet pipe make sure that the non-return valves of the suction unit can freely rotate (**Picture 12**).

The models with no suction motor only operate in ducting mode, and must be connected to an external suction device (not supplied).

The connecting instructions are supplied with the peripheral suction unit.

## Installation

**Note:** The installation must be performed so that accessibility to the hood and its electronic components is always ensured for possible technical assistance interventions.

When installing the product, it is recommended to keep a minimum distance of 400mm between the worktop and any components laid on top of the hood.

This is to let the suction panel move upwards (opening) and downwards (closing) without any obstacles, and to facilitate access to the hood controls on the panel.

**WARNING:** Put the metal box containing the electronic components at a distance not shorter than 65 cm from the gas hob or 65 cm from the hood suction point.

The minimum distance between downdraft edge and hob edge must be at least 50mm.



**RECOMMENDATION:** We recommend you to install the metal box containing the electronic components at a distance of at least 10 cm from the ground and sufficiently from all the sources of heat (e.g.: side of an oven or hob).

If the instructions for installation for the gas hob specify a greater distance, this must be adhered to.



### Electrical connection

The hood must be connected to the mains supply by qualified and trained technicians.

The mains power supply must correspond to the rating indicated on the plate situated inside the hood. If provided with a plug connect the hood to a socket in compliance with current regulations and positioned in an accessible area, after installation. If it not fitted with a plug (direct mains connection) or if the plug is not located in an accessible area, after installation, apply a double pole switch in accordance with standards which assures the complete disconnection of the mains under conditions relating to over-current category III, in accordance with installation instructions.

**Warning!** Before re-connecting the hood circuit to the mains supply and checking the efficient function, always check that the mains cable is correctly assembled.

**Note:** in applications with a remote GME motor, connect the cable of the motor unit in the designated terminal board located inside the plastic box in the downdraft's wiring. Make sure you follow the colours of the cables during the connection.

### Fig. 21

**Caution! Do not cut the cable between the hood and the engine to avoid losing your right to warranty!**

### Mounting

Before starting to mount the appliance, make sure that no component is damaged, otherwise contact the dealer and stop mounting. In addition, read all the instructions below carefully.

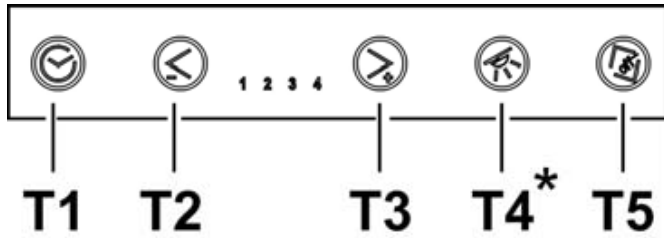
- Use an air outlet pipe no longer than 5 metres.
- Limit the number of curves in the duct since each curve reduces the suction effectiveness equivalent to 1 linear metre. (E.g.: if two 90° curves are used, the duct should be no longer than 3 metres).
- Avoid drastic changes of direction.
- Use a duct with 150mm diameter constant for the whole length.
- Use a duct made of standard complying material.
- Remove the safety shim highlighted in the picture (**Fig. 1-2**) at the end of the installation.
- In case of failure to observe the instructions above, the supplier can not be held responsible for capacity or noise problems and no warranty will be granted.
- Before making the hole, make sure that the inside of the cabinet, near the hood housing area, does not have the structure of the cabinet or other particulars which may cause problems for the proper installation. Make sure that the overall dimensions of the hood and the hob are compatible with the cabinet and therefore the installation is feasible.

- Perform, in the back of the hob, a rectangular hole with the following dimensions: (**Fig. 20**)  
**Hood 60cm Model:** 542x100mm.  
**Hood 90cm Model:** 842x100mm.  
**Hood 120cm Model:** 1142x100mm
- Install the hood in the hole made, inserting it from above, as shown (**Fig. 3**). In case of version with motor on board, it is necessary to remove the suction unit before inserting the product into the cabinet.
- Fix the hood inside the cabinet using the special brackets supplied (**Fig. 4**). Start mounting the brackets in the lower part of the hood (**Fig. 5a**) making sure that there is a distance of 2 mm between the lower part of the bracket and the cabinet bottom (**Fig. 5b**). This distance allows the traction of the product downwards on fixing, (**Fig. 5c**), so that the stainless steel frame adheres perfectly on the worktop.
- Before inserting the screws into the cabinet, make sure that the product is perfectly perpendicular to the worktop.
- After completing the installation and connecting the product to the power supply, lift the hood and remove the door lock (**Fig. 6**).
- In case of version with motor on board start mounting the motor unit directing the air outlet to the chosen position downwards or upwards (**Fig. 7b**). The motor can be installed on both the front side and the back one of the hood. Once the installation of the motor has been completed, start mounting the duct for the air outlet.
- In case of version with external motor put the suction unit (external motor) in a suitable area and arrange the air outlet duct. Start mounting the air outlet duct between the external motor and the hood. Select the air outlet among the five possibilities (**Fig. 7a**) and install the union supplied.
- Put the metal box containing the electronic components in an easily accessible area for any assistance operations (**Fig. 8**), connecting the electric connectors of the same to the hood: pushbutton panel connector (**Fig. 9a**), 9-pole connector (**Fig. 9b**), neon connector (**Fig. 9c**)
- In case of installation with remote motor, connect the power unit cable to the special connector placed on the electronic components box (**Fig. 10a**)
- Connect the product to the power supply

## Operation

The hood is equipped with a "TOUCH" device to control the lights and speed.

For the correct use please carefully read the instructions below. The cooker hood can be controlled through a remote control available as accessory kit (see the paragraph relating to the functioning of the remote control).



- **Key T1:** delays hood switching off timing the speed set for some minutes.

By such function, when the timing is elapsed, the hood switches off.

The timing is divided as follows:

- suction speed (power) 1: **20 minutes**
- suction speed (power) 2: **15 minutes**
- suction speed (power) 3: **10 minutes**
- suction speed (power) 4: **5 minutes**

**PLEASE NOTE:** When operating the timer, the hood might switch to a lower intake speed (power) before turning off, as on some speeds there is already a timing on the speed reduction itself.

When keys **T2** and **T3** are pressed, the hood leaves the timed function and the suction speed (power) increases or decreases according to the key pressed. During the timing phase the LED related to the corresponding speed flashes.

- **Key T2:** Decreases the active suction speed (power) (**4→3→2→1→OFF**).

The speed is displayed through the LED related to the corresponding speed.

Key **T2** has no effect on the opening/closure of the suction panel.

- **Key T3:** Increases the active suction speed (power) (**1→2→3→4**).

The speed is displayed through the LED related to the corresponding speed.

**Note: (only for models fitted with a motor or a remote GME 22):**

Suction speed 4 (power) is timed for 6 minutes, after which the hood will automatically switch to suction speed 3 (power).

**Note: (only for remote GME 88):**

Suction speed 3 (power) is timed for 7 minutes, after which the hood will automatically switch to suction speed 2 (power).

Suction speed 4 (power) is timed for 6 minutes, after which the hood will automatically switch to suction speed 2 (power).

**Note:** If the panel is closed (hood is off) key **T3** activates the opening of the suction panel first and then sets the hood to the suction speed (power) **1**.

- **Key T4\*:** Switches on the light  
**Note:** If the suction panel is closed (hood is off) key **T4** activates the opening of the suction panel first and then switches on the light.

- **Key T5:** Opens (Lifts) and closes (lowers) the suction panel.

With the hood switched off and the panel closed, key **T5** opens the suction panel first and then sets the hood to the suction speed (power) **1**.

With the hood switched on (at any speed) and the panel open, key **T5** switches off the hood first (and, if they are on, it switches off the lights as well) and then closes the suction panel.

\* Depending on the model available.

### Additional operating information

During the removal of the front panel due to cleaning and maintenance operations, all the electronic functions of suction and movement are locked.

Anti-pinch safety: if an obstacle obstructs the closure of the Downdraft, the closure is stopped and the trolley goes up.

### Grease Filter saturation signal.

Every 40 hours of use the hood signals the need for maintenance of the grease filter.

The signal is by making all the suction speed LEDs (powers) flash contemporaneously.

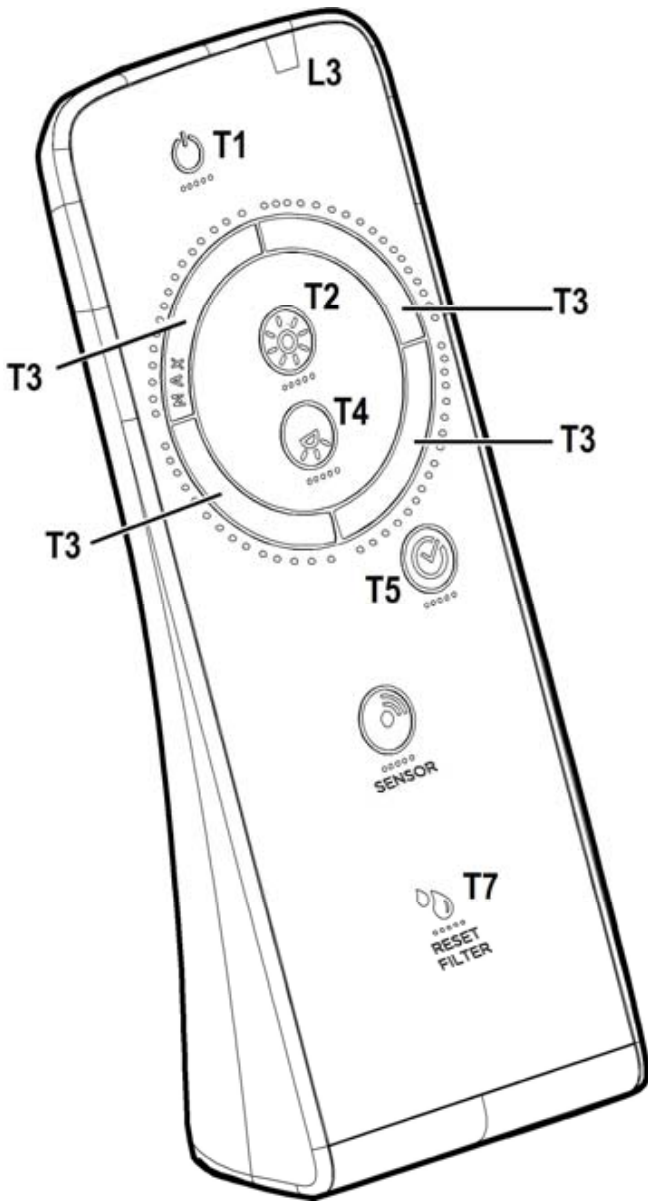
Reset of the grease filter signal

After carrying out the maintenance of the grease filter, press key T1 for more than 3" in order to reset the signal.

Note: The signal is not displayed with hood switched off (OFF), regardless of the position of the suction panel.

## Remote control

**Warning!** Some functions of this remote control may only be activated with certain hood models.



### Remote control affiliation:

Keep **T2 +T5** pressed

### Description of the remote control functions

- T1.** OFF key  
Open/Close the panel
- T2.** Remote control affiliation key
- T3.** Suction speed (power) control key:  
Open/Close the panel
- T4.** Hob light ON/OFF key
- T5.** Remote control affiliation key
- L3.** Remote control operation LED

**Note:** touch the keys lightly to select the available functions.

- T1.** OFF key  
Press to switch the hood off
- T3.** Suction speed (power) control key  
Touch the key starting from any position, turning it clockwise or anticlockwise to increase or decrease suction speed.  
**Note:** When the hood and the panel are in the OFF position, touch the key, turning it clockwise to open the panel and activate the hood at speed 1.
- T4.** Hob light ON/OFF key  
Press for more than 3 seconds to switch the hob light on or off.  
**Note:** If the panel is already open, the light will switch on even by applying a short pressure.  
**Note:** If you want to close the panel as well, it's enough to apply a light pressure for the second time.
- T7.** Filter clogging indicator reset key  
When the hood is in the ON position, press T7, LED L1 will stop indicating the clogging

**Note: (only for models fitted with a motor or a remote GME 22):**

Suction speed 4 (power) is timed for 6 minutes, after which the hood will automatically switch to suction speed 3 (power).

**Note: (only for remote GME 88):**

Suction speed 3 (power) is timed for 7 minutes, after which the hood will automatically switch to suction speed 2 (power).

Suction speed 4 (power) is timed for 6 minutes, after which the hood will automatically switch to suction speed 2 (power).

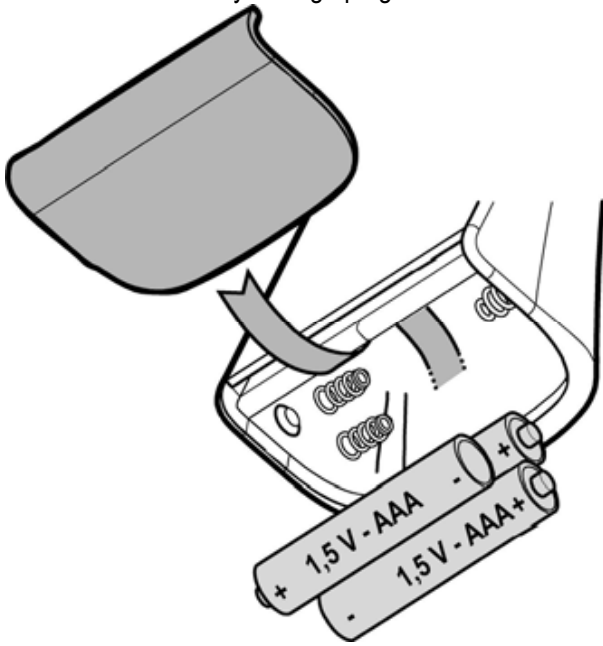
## Maintenance of the remote control

### Cleaning the remote control:

Clean the remote control with a damp cloth and a neutral solution of detergent without abrasive substances.

### Changing the battery:

- Open the battery casing.
- Replace the flat batteries with 3 new 1.5 V type AAA batteries.  
Respect the polarity indicated in the battery casing when inserting the new battery!
- Close the battery casing up again.



### Disposal of the batteries

Ultimate disposal of the batteries should be handled according to all national laws and regulations. Do not place used batteries in your regular waste.

Ultimate disposal of the batteries must be done safely.

Contact your local waste management officials for other information regarding the environmentally sound collection, recycling, and disposal of the batteries.

## Operation anomalies

### **The hood does not work**

Make sure that:

- There is no current blackout
- A speed has been effectively selected.
- The panel is correctly hooked.
- The 9-pole connection is well inserted (**Picture 9b**).
- The red reset key above the electric system box is pressed.
- The wires in the 9-pole connection are well inserted into the connector. (During connection, exerting an overpressure may cause the contacts to bend).

### **The hood has low efficiency**

Make sure that:

- The motor speed selected is sufficient for the quantity of fumes present
- The kitchen is aired enough to allow an air intake and the charcoal filter is not worn out (filter version hood).
- The air outlet pipe is not clogged.
- The suction unit non-return valves can rotate freely.

### **The hood stops during operation**

Make sure that:

- There is no current blackout
- The differential magnetothermal switch (automatic circuit breaker) has not been released.

## Maintenance

### Cleaning

Clean using **ONLY** the cloth dampened with neutral liquid detergent. **DO NOT CLEAN WITH TOOLS OR INSTRUMENTS.** Do not use abrasive products. **DO NOT USE ALCOHOL!**

### Grease filter

**Traps cooking grease particles.**

This must be cleaned once a month (or when the filter saturation indication system – if envisaged on the model in possession – indicates this necessity) using non aggressive detergents, either by hand or in the dishwasher, which must be set to a low temperature and a short cycle.

When washed in a dishwasher, the grease filter may discolour slightly, but this does not affect its filtering capacity.

When inserting and removing grease filters and charcoal filters, please make sure that the extractable unit of the hood is in open position. In order to do this, pull the **OFF (T5)** key.

Then remove the front panel, by pulling on the upper part of each side at the same time (**Fig.13**).

The panel turns forward, so that grease filters can be inserted (**Fig.14**).

### **Charcoal filter (filter version only)**

**It absorbs unpleasant odours caused by cooking.**

The saturation of the **charcoal filter** occurs after more or less prolonged use, depending on the type of cooking and the regularity of cleaning of the grease filter.

In any case it is necessary to replace the cartridge at least every four months.

The charcoal filter may NOT be washed or regenerated.

After removing the grease filter, it is possible to insert the charcoal filters (**Fig. 15**) (*not supplied*).

## Replacing lamps

(Depending on the model available). Disconnect the appliance from the electricity.

**Warning!** Prior to touching the light bulbs ensure they are cooled down.

Replace the old light bulb with the one of the same type as specified in the feature label or near the light lamp on the hood.

To replace the neon proceed as follows:

1. Lift the trolley.
2. Disconnect from power supply. (this operation can be carried out by disconnecting the plug, if accessible, or open the switch if envisaged during installation or press the red button in the control box (**Fig. 10c**))
3. Remove the screws which fix the upper front as shown in (**Fig. 16**)
4. Lift the upper front (**Fig. 17**)
5. Remove the damaged neon (**Fig. 18**) and replace it with one having the same characteristics

If the lights do not work, make sure that the lamps are fitted properly into their housings before you call for technical assistance.





