

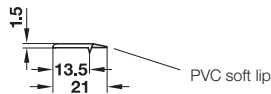
## Closure strip

- Material: Plastic

### Function

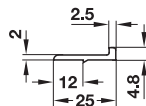
Closure strips with lip made of PVC (hard and soft combined) seal double door cabinets without centre panel or centre stud. Depending on the mounting method, the left or right door can be closed or opened last.

### Glue fixing



Colour	Length	Cat. No.
Cream white, similar RAL 9001	2.50 m	239.91.700
Light grey, similar RAL 7035		239.91.500
Grey brown, similar RAL 8019		239.91.100
Graphite-black, similar RAL 9011		239.91.300

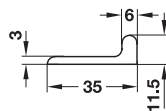
Packing: 1 pc.



- Area of application: For locks with hind bolt dimension 4.8 – 7.5 mm

Colour	Length	Cat. No.
Cream white, similar RAL 9001	2.50 m	239.92.750
Light grey, similar RAL 7035		239.92.550
Grey brown, similar RAL 8019		239.92.150
Brown, similar RAL 8007		239.92.250
Beige, similar RAL 1015	2.75 m	239.92.451
Oak, similar RAL 8001		239.92.051
Graphite-black, similar RAL 9011		239.92.351

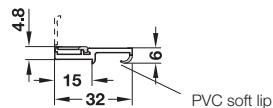
Packing: 1 pc.



- Area of application: For locks with hind bolt dimension 11.5 – 14 mm

Colour	Length	Cat. No.
Cream white, similar RAL 9001	2.50 m	239.93.700
Light grey, similar RAL 7035		239.93.500
Grey brown, similar RAL 8019		239.93.100

Packing: 1 pc.



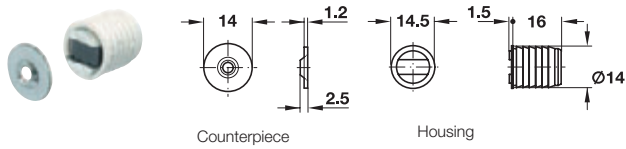
- Area of application: For locks with hind bolt dimension 4.8 – 7.5 mm, breadth 32 mm

Colour	Length	Cat. No.
Cream white, similar RAL 9001	2.50 m	239.93.750
Light grey, similar RAL 7035		239.93.550
Grey brown, similar RAL 8019		239.93.150
Graphite-black, similar RAL 9011		239.93.350
Cream white, similar RAL 9001	2.75 m	239.93.761
Light grey, similar RAL 7035		239.93.561
Beige, similar RAL 1015		239.93.361
Oak, similar RAL 8001		239.93.451
Graphite-black, similar RAL 9011		239.93.051
Beech, wood structure		239.93.661

Packing: 1 pc.

## Magnetic catch

### Pull 2.5 – 3.5 kg, for drilling hole Ø 14 mm

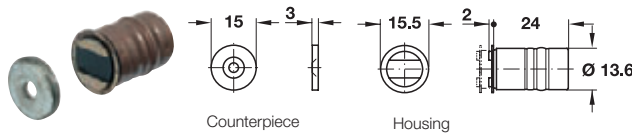


- Material: Plastic housing, steel counterpiece
- Version: Rigid housing and counterpiece
- Installation: Housing for press fitting, counterpiece for screw fixing

Colour	Cat. No.
Housing white	246.03.709
Housing brown	246.03.101

Packing: 1 or 50 pcs.

### Pull 5.0 kg, for drilling hole Ø 13.6 mm



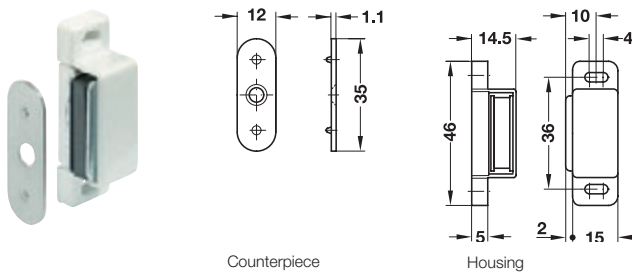
- Material: Brass housing, steel counterpiece
- Version: Rigid housing and counterpiece
- Installation: Housing for gluing, counterpiece for screw fixing

Finish	Cat. No.
Housing nickel plated	246.02.211

Packing: 1 or 20 pcs.

4

### Pull 2.0 kg

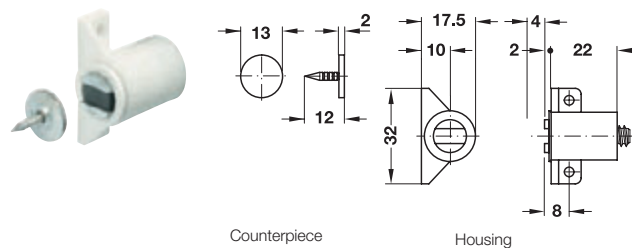


- Material: Plastic housing, steel counterpiece
- Version: Rigid housing, movable counterpiece
- Adjusting facility: With slot in housing
- Installation: Housing and counterpiece for screw fixing

Colour	Cat. No.
White	246.26.741
Brown	246.26.141
Black	246.26.341
Silver coloured	246.26.940

Packing: 1, 10 or 100 pcs.

### Pull 3.0 – 4.0 kg



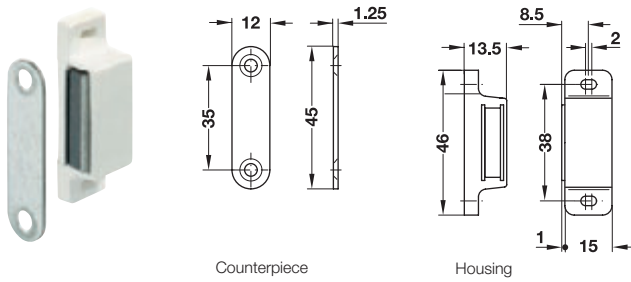
- Material: Plastic housing, steel counterpiece
- Version: Rigid housing, movable counterpiece
- Adjusting facility: Magnet insert can be adjusted by approx. +4 mm by turning
- Installation: Housing for screw fixing, counterpiece for knocking in

Colour	Cat. No.
Housing white	246.09.701
Housing brown	246.09.103

Packing: 1 or 50 pcs.

**Magnetic catch**

**Pull 3.0 – 4.0 kg or 4.0 – 5.0 kg**

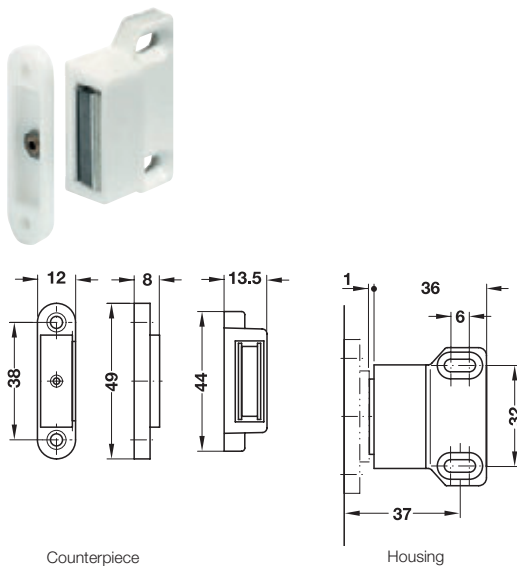


- Material: Plastic housing, steel counterpiece
- Version: Movable housing, rigid counterpiece
- Adjusting facility: With slot in housing
- Installation: Housing and counterpiece for screw fixing

Pull	Colour	Cat. No.
3.0 – 4.0 kg	White	246.26.720
	Brown	246.26.122
4.0 – 5.0 kg	White	246.29.703
	Brown	246.29.105
	Black	246.29.301

Packing: 1, 10 or 50 pcs.

**Pull 3.0 – 4.0 kg or 4.0 – 5.0 kg for 32 mm series drilled holes**

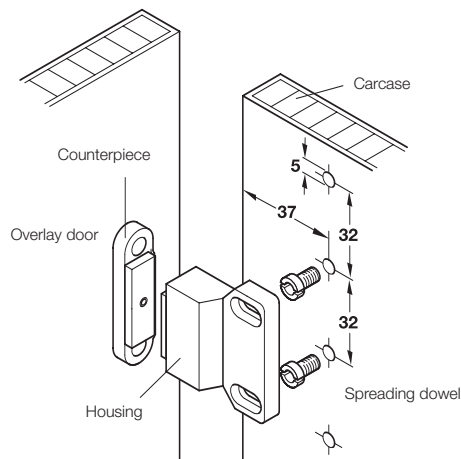


- Material: Plastic housing and counterpiece
- Version: Movable housing and counterpiece
- Adjusting facility: With slot in housing
- Installation: Housing for screw fixing into 32 mm series drilled holes, counterpiece for screw fixing

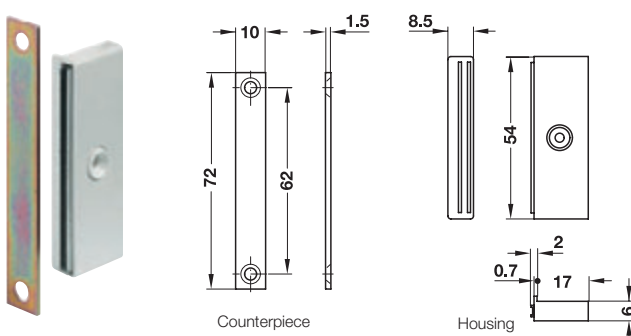
Pull	Colour	Cat. No.
3.0 – 4.0 kg	White	246.11.701
	Brown	246.11.103
4.0 – 5.0 kg	White	246.17.703
	Brown	246.17.105

Packing: 1 or 50 pcs.

**Installation**



**Pull 5.0 kg, flat type**



- Installation height: 6 mm
- Material: Plastic housing, steel counterpiece
- Version: Movable housing, rigid counterpiece
- Adjusting facility: Adjustable with stop edge
- Installation: Housing and counterpiece for screw fixing

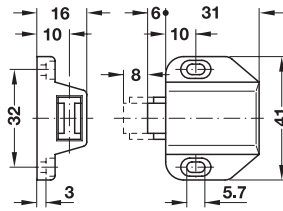
Colour	Cat. No.
White	246.50.708
Brown	246.50.100

Packing: 1 or 20 pcs.

We reserve the right to alter specifications without notice (SEA Basic 2008/09).

### Magnetic pressure catch for glass doors

Pull 1.8 kg

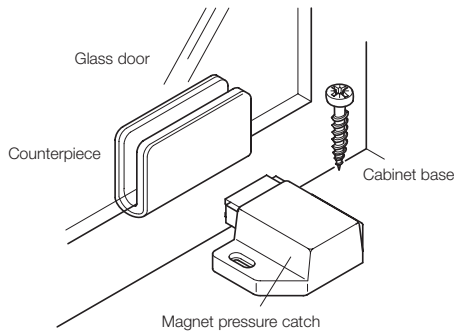


- Material: Plastic
- Adjusting facility: With slot
- Installation: Screw fixing

Colour	Cat. No.
White	245.67.710
Black	245.67.310

Packing: 1 or 100 pcs.

#### Installation



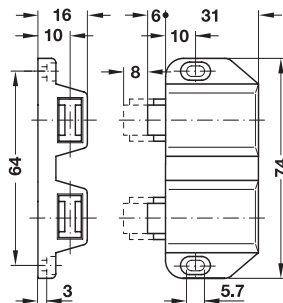
#### Order information

Please order counterpiece separately.

4

### Magnetic pressure catch for double glass doors

Pull 2.5 kg

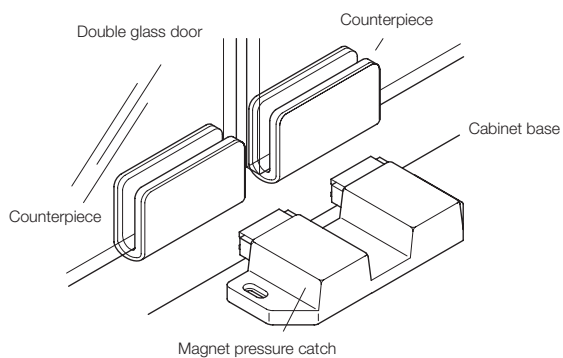


- Material: Plastic
- Adjusting facility: With slot
- Installation: Screw fixing

Colour	Cat. No.
White	245.67.720
Black	245.67.320

Packing: 1 or 50 pcs.

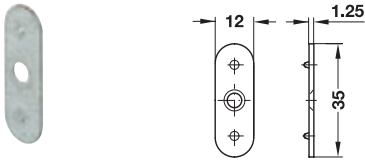
#### Installation



#### Order information

Please order counterpiece separately.

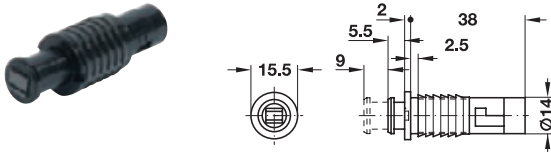
### Counterpiece for screw fixing



Material	Finish	Cat. No.
Steel	Galvanized	246.26.793

Packing: 1, 50 or 500 pcs.

### Magnetic pressure catch for press fitting, pull 1.2 kg



- Material: Plastic
- Adjusting facility: 2.5 mm
- Installation: Press fitting

Colour	Cat. No.
Black	245.62.338

Packing: 1 or 100 pcs.

#### Order information

Please order counterpiece separately.

### Counterpiece for knocking in

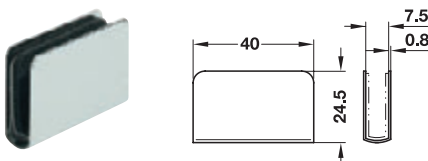


Material	Finish	Cat. No.
Steel	Galvanized	246.08.910

Packing: 1 or 1,000 pcs.

4

### Counterpiece for glass doors

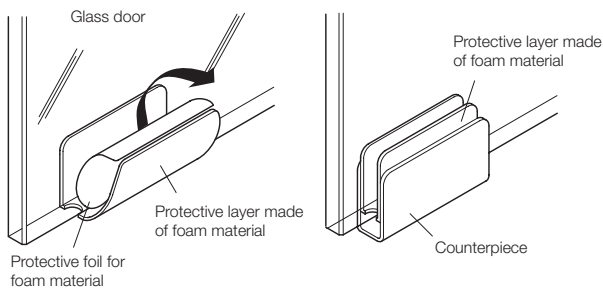


- For glass thickness: 4 – 6 mm
- Installation: For clipping on, with self adhesive intermediate layer made of foam material

Material	Finish	Cat. No.
Steel	Chrome plated	245.66.211
	Black	245.66.311

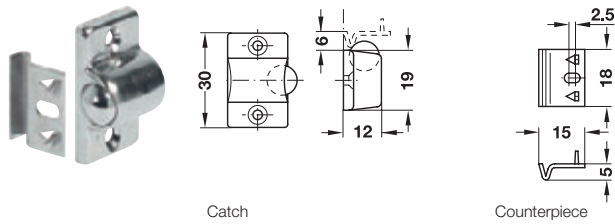
Packing: 1, 100 or 400 pcs.

#### Installation



Ball catches

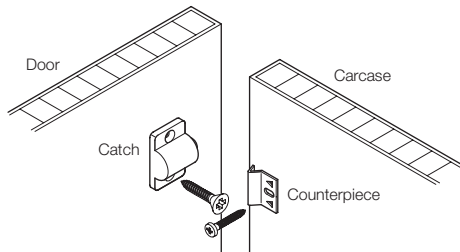
Ball catch for screw fixing



Catch

Counterpiece

Installation

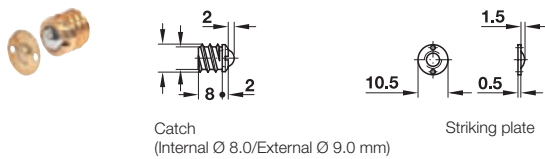


- Material: Steel catch and counterpiece, chrome steel ball
- Installation: Screw fixing

Finish/Colour	Cat. No.
Catch chromatinized, counterpiece nickel plated	241.10.718

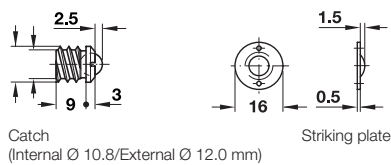
Packing: 1 or 50 pcs.

Ball catch for screwing-in



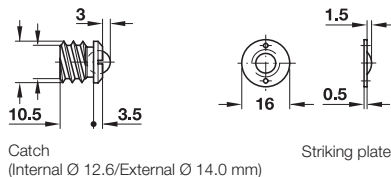
Catch  
(Internal Ø 8.0/External Ø 9.0 mm)

Striking plate



Catch  
(Internal Ø 10.8/External Ø 12.0 mm)

Striking plate



Catch  
(Internal Ø 12.6/External Ø 14.0 mm)

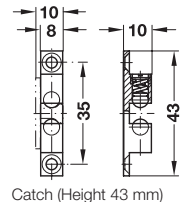
Striking plate

- Material: Brass catch, steel striking plate, chrome steel ball
- Finish: Catch bright, striking plate brass plated
- Installation: Catch for screwing-in, striking plate for pin fixing

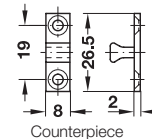
Internal Ø	External Ø	Cat. No.
8.0 mm	9.0 mm	241.86.105
10.8 mm	12.0 mm	241.86.114
12.6 mm	14.0 mm	241.86.123

Packing: 50 or 200 pcs.

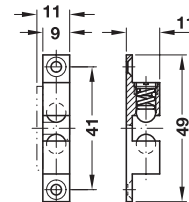
Twin ball catch for screw fixing



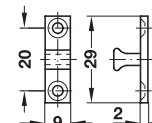
Catch (Height 43 mm)



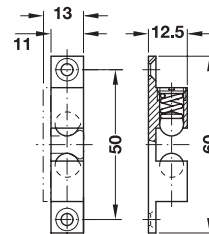
Counterpiece



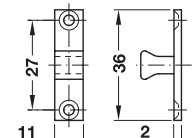
Catch (Height 49 mm)



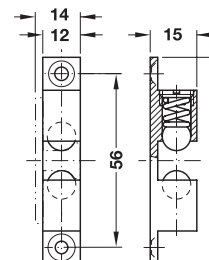
Counterpiece



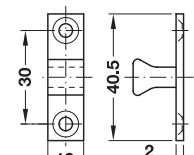
Catch (Height 60 mm)



Counterpiece



Catch (Height 70 mm)



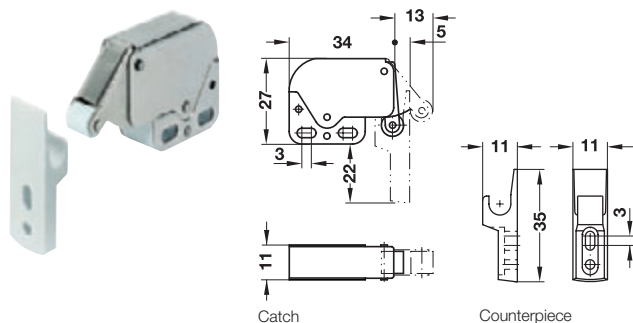
Counterpiece

- Material: Brass catch and counterpiece, stainless steel balls
- Finish: Catch and counterpiece bright
- Installation: Screw fixing
- Adjusting facility: Retaining pressure

Height	Cat. No.
43 mm	244.20.014
49 mm	244.20.015
60 mm	244.20.016
70 mm	244.20.017

Packing: 10 or 50 pcs.

**MINI-LATCH Spring catch**

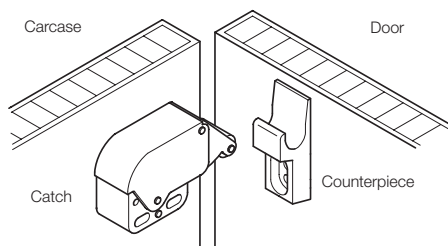


- Material: Steel catch, plastic counterpart
- Installation: Screw fixing
- Adjusting facility: Slot

Finish	Cat. No.
Catch nickel plated, counterpart white	245.54.701

Packing: 1, 50 or 400 pcs.

**Installation**

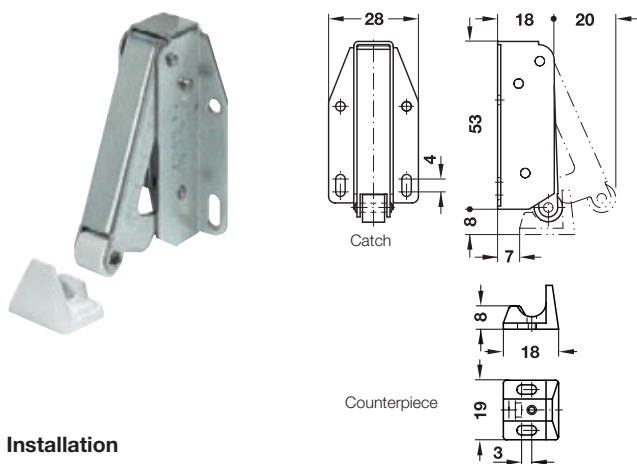


**Single spring catch**

Colour	Cat. No.
White	245.54.790
Black	245.54.390

Packing: 1, 50 or 400 pcs.

**QUICK Spring catch**

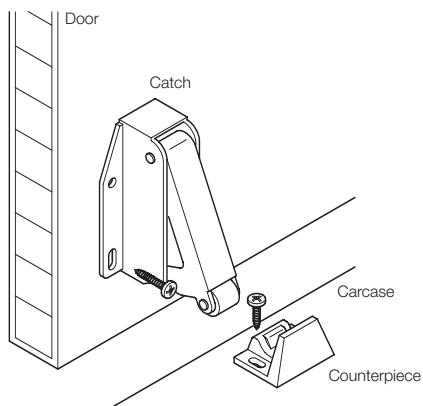


- Material: Steel catch, plastic counterpart
- Installation: Screw fixing
- Adjusting facility: Slot

Finish	Cat. No.
Bright galvanized	245.55.913
Brass plated	245.55.502

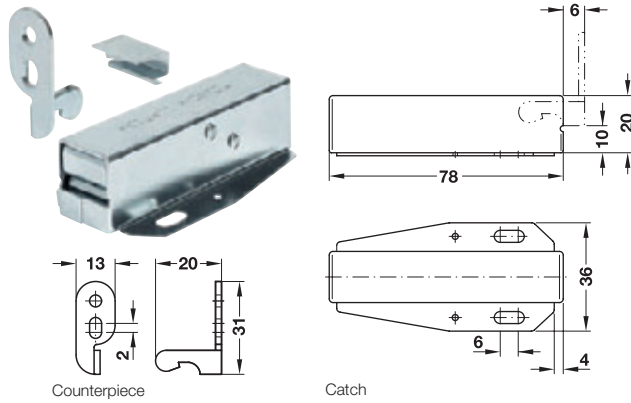
Packing: 1, 50 or 200 pcs.

**Installation**



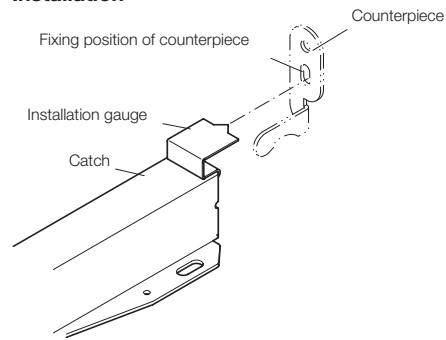
We reserve the right to alter specifications without notice (SEA Basic 2008/09).

**TUTCH-LATCH Spring catch**



- Material: Steel catch and counterpiece
- Installation: Screw fixing
- Adjusting facility: Slot

**Installation**



**Positioning the counterpiece**

- 1 Screw on catch.
- 2 Insert supplied installation gauge into the catch housing (see drawing).
- 3 Close the door and press against it.  
 The position for the fixing screw of the counterpiece is now marked.

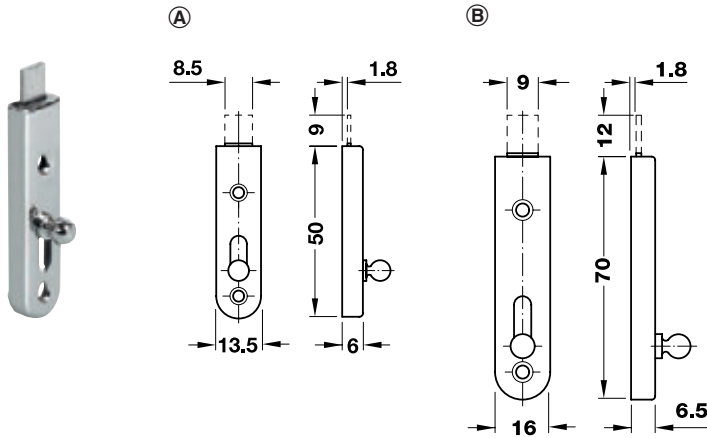
Finish	Cat. No.
Catch bright galvanized	245.56.901
Counterpiece galvanized	245.56.903

Packing: 10, 100 or 500 pcs.

**Supplied with**

- 1 Spring catch
- Fixing material

**Furniture bolt, straight**

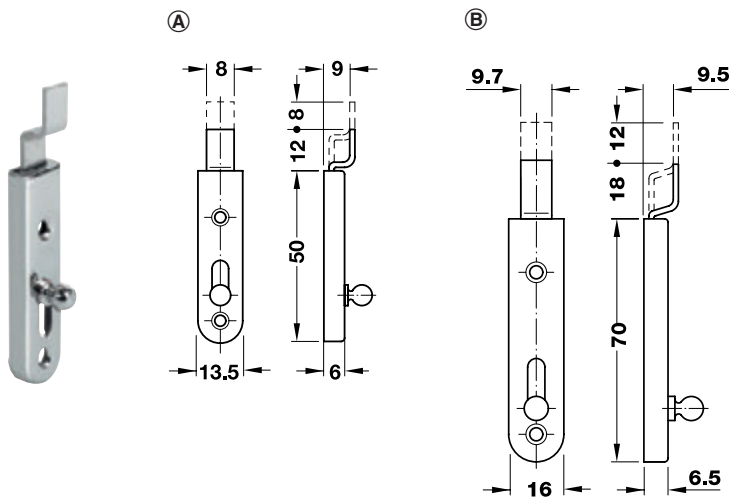


- Material: Steel
- Installation: Screw fixing

Length	Cat. No.
Ⓐ 50 mm	251.01.106
Ⓑ 70 mm	251.01.124

Packing: 1 or 250 pcs.

**Furniture bolt, cracked**

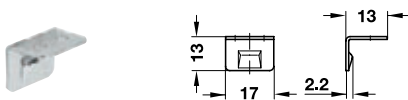


- Material: Steel
- Installation: Screw fixing

Length	Cat. No.
Ⓐ 50 mm	251.02.103
Ⓑ 70 mm	251.02.121

Packing: 1 or 250 pcs.

**Angled striking plate**



- Material: Steel
- Version: With angled rib, 2 drill holes for screwing
- Installation: Screw fixing

Finish	Cat. No.
Nickel plated	251.74.707
Brass	251.74.501

Packing: 1 or 1,000 pcs.

We reserve the right to alter specifications without notice (SEA Basic 2008/09).